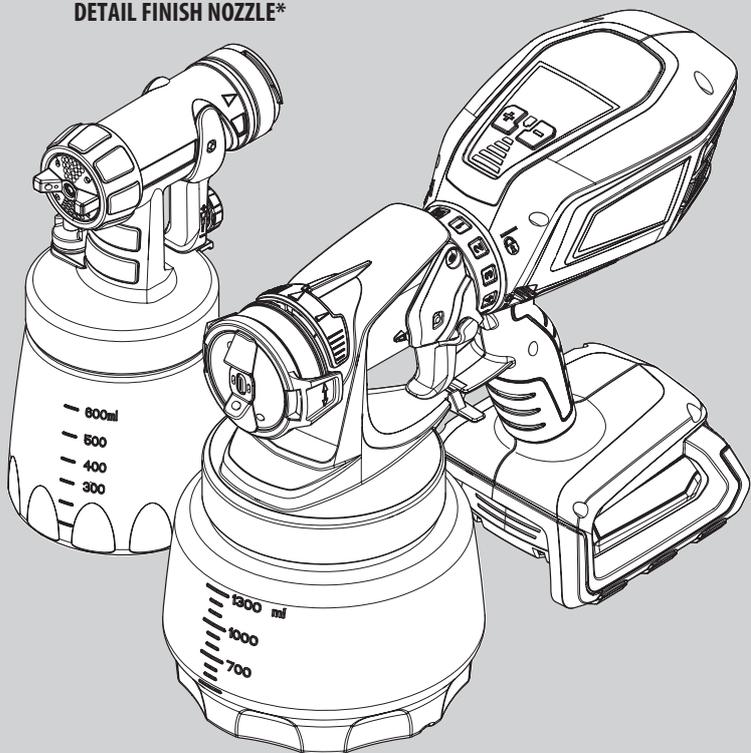


WAGNER

DETAIL FINISH NOZZLE*



EN

TABLE OF CONTENTS

IMPORTANT SAFETY INFORMATION	2-6
CHARGING THE BATTERY PACK	7
SETUP	8
SPRAYER CONTROLS	9
SPRAYING	10
CLEANUP	11
MAINTENANCE	12
TROUBLESHOOTING	12
PARTS LIST	14-15
WARRANTY	16

F

TABLE DE MATIÈRES

CONSIGNES DE SÉCURITÉ IMPORTANTES	2-6
CHARGE DU BLOC-PILES	7
MONTAGE	8
COMMANDE DU PULVÉRISATEUR	9
PULVÉRISATION	10
NETTOYAGE	11
ENTRETIEN	12
DÉPANNAGE	13
LISTE DE PIÈCES	14-15
GARANTIE LIMITÉE	16

ES

CONTENIDO

INFORMACIÓN IMPORTANTE SOBRE SEGURIDAD	2-6
CARGA DEL PAQUETE DE BATERÍAS	7
PREPARACIÓN	8
CONTROLES DEL PULVERIZADOR	9
ROCIADO	10
LIMPIEZA	11
MANTENIMIENTO	12
SOLUCIÓN DE PROBLEMAS	13
LISTA DE PIEZAS	14-15
GARANTÍA LIMITADA	16

Scan the QR codes for videos, tips, troubleshooting, and more.

Scannez le codes QR pour vidéos, aux conseils, au dépannage et plus encore.

Escanee el códigos QR para videos, consejos, resolución de problemas y más.



SCAN ME

FLEXIO™ 3550 18V

OWNER'S MANUAL • MANUEL DE L'UTILISATEUR • MANUAL DE USUARIO

READ THIS MANUAL FOR COMPLETE INSTRUCTIONS • LIRE CE MANUEL POUR OBTENIR DES DIRECTIVES COMPLÈTES • LEA ESTE MANUAL PARA OBTENER LAS INSTRUCCIONES COMPLETAS

SPRAYABLE MATERIALS (WATER AND OIL-BASED)

- Latex and oil-based paints and primers
- Decorative paints
- Semi-Transparent stain
- Solid stains
- Water-based Lacquers
- Urethanes



Household use only. Intended for indoor/outdoor use ONLY with materials having flashpoint above 100°F (38°C).

* Detail Finish nozzle included in FLEXiO 3550. Ideal for detail projects and finer finishes. It is designed for spraying thinner materials, such as oil based stains and paints. The Detail Finish nozzle leaves a smoother finish.

PRODUITS À PULVÉRISER (À BASE D'EAU ET DE L'HUILE)

- Peintures et apprêts au latex et à l'huile
- Peintures décoratives
- Teintures semi-transparentes
- Teintures solide
- Laques à l'eau
- Uréthanes



Ce produit est conçu pour un usage résidentiel. Peut être utilisé à l'intérieur ou à l'extérieur. Ne pas utiliser de matériaux ayant un point d'inflammabilité de moins de 100°F (38°C).

* Buse de Detail Finish inclus dans FLEXiO 3550. Idéal pour les projets détaillés et des finitions fines. Il est conçu pour pulvériser les produits moins épais comme les teintures et les peintures à l'huile. La buse Detail Finish produit une finition plus lisse.

MATERIALES PULVERIZABLES (A BASE DE AGUA Y ACEITE)

- Pinturas y bases de látex y aceite
- Pinturas decorativas
- Tintura semitransparente
- Tintura sólidas
- Lacas a base de agua
- Uretanos



Solo uso doméstico. Previsto para el uso al aire libre o interiores solamente con los materiales que tienen punto de inflamación sobre 100°F (38°C).

* Boquilla de Detail Finish Incluido en FLEXiO 3550. Ideal para proyectos con detalles y acabados más finos. Está diseñada para trabajar con materiales más finos, como tinturas a base de óleo o pinturas. La boquilla Detail Finish deja un acabado más uniforme.

IMPORTANT SAFETY INFORMATION • IMPORTANTES CONSIGNES DE SÉCURITÉ • INFORMACIÓN IMPORTANTE SOBRE SEGURIDAD

EN SAFETY HAZARDS



HAZARD: EXPLOSION OR FIRE

Flammable vapors, such as solvent and paint vapors, in work area can ignite or explode.

PREVENTION:

- Do not spray flammable or combustible materials.
- Do not spray or clean with liquids having a flash point of less than 100°F (38°C). Flash point is the temperature at which a fluid can produce enough vapor to ignite.
- Verify that all containers and collection systems are grounded to prevent static discharge.
- Keep spray area well ventilated. Keep a good supply of fresh air moving through the area to keep the air within the spray area free from accumulation of flammable vapors.
- Do not smoke in the spray area.
- Do not operate light switches, engines, or similar spark producing products in the spray area.
- Keep area clean and free of paint or solvent containers, rags, and other flammable materials.
- Know the contents of the paint and solvents being sprayed. Read all material Safety Data Sheets (SDS) and container labels provided with the paints and solvents. Follow the paint and solvent manufacturer's safety instructions.
- Fire extinguisher equipment shall be present and working.



HAZARD: ELECTRIC SHOCK

This product can cause injury due to electric shock.

PREVENTION:

- Never submerge electrical parts.
- Never expose the equipment to rain. Store indoors.
- Keep spray gun trigger free from paint and other liquids. Failure to observe may result in an electrical shock.



HAZARD: GENERAL

This product can cause severe injury or property damage.

PREVENTION:

- Always wear appropriate gloves, eye protection, clothing and a respirator or mask when painting. Hazardous vapors – Paints, solvents, insecticides, and other materials can be harmful if inhaled or come in contact with body. Vapors can cause severe nausea, fainting or poisoning.
- Do not operate or spray near children. Keep children away from equipment at all times.
- Do not overreach or stand on an unstable support. Keep effective footing and balance at all times.
- Stay alert and watch what you are doing.
- Do not operate the unit when fatigued or under the influence of drugs or alcohol.
- Never aim spray gun at any part of the body.
- Follow all appropriate local, state, and national codes governing ventilation, fire prevention, and operation.
- The United States Government Safety Standards have been adopted under the Occupational Safety and Health Act (OSHA). These standards, particularly part 1910 of the General Standards and part 1926 of the Construction Standards should be consulted.
- Use only manufacturer authorized parts. User assumes all risks and liabilities when using parts that do not meet the minimum specifications and safety devices of the turbine manufacturer.
- Do not spray outdoors on windy days.

WARNING! CALIFORNIA PROPOSITION 65 WARNING

This product can expose you to chemicals including lead, which are known to the State of California to cause cancer, birth defects, or other reproductive harm.

For more information go to www.P65warnings.ca.gov.

COMPLIANCE



This tool is listed by the Canadian Standards Association, to United States and Canadian Standards.

CHARGER SAFETY RULES

1. **SAVE THESE INSTRUCTIONS** – This manual contains important safety and operating instructions for battery charger model GAL18V-40. Do not substitute any other charger.
2. **Before using battery charger, read all instructions and warning markings on (1) battery charger, (2) battery pack, and (3) product using battery.**
3. **To reduce the risk of injury, charge only rechargeable batteries listed on the**

battery list. Other types of batteries may burst causing personal injury and damage.

4. **Charge battery pack in temperatures above +32 degrees F (0 degrees C) and below +113 degrees F (45 degrees C). Store tool and battery pack in locations where temperatures will not exceed 120 degrees F (49 degrees C).** This is important to prevent serious damage to the battery cells.
5. **Do not recharge battery in damp or wet environment. Do not expose charger to rain or snow.** Water entering battery charger may result in electric shock or fire.
6. **Never submerge battery pack, tool or charger in fluid of any kind or allow fluid to enter them.** Corrosive or conductive fluid (such as seawater or industrial chemical or bleach containing products, etc.) can cause short circuit which may result in fire, personal injury and property damage.
7. **Battery leakage may occur under extreme usage or temperature conditions. Avoid contact with skin and eyes.** The battery liquid is caustic and could cause chemical burns to tissues. If liquid comes in contact with skin, wash quickly with soap and water. If the liquid contacts your eyes, flush them with water for a minimum of 10 minutes and seek medical attention.
8. **Place charger on flat nonflammable surfaces and away from flammable materials when recharging battery pack.** Carpeting and other heat insulating surfaces block proper air circulation which may cause overheating of the charger and battery pack. If smoke or melting of the charger or battery pack is observed, unplug the charger immediately and do not use the battery pack or charger. Contact customer service immediately.
9. **Make sure cord is located so that it will not be stepped on, tripped over, or otherwise subjected to damage or stress.** Damaged plug and cord may result in electric shock or fire.
10. **Disconnect the charger by pulling the plug rather than the cord. Do not operate charger with damaged cord or plug; have them replaced immediately.** Damaged plug or cord may result in electric shock or fire.
11. **Do not insert battery pack in charger if battery pack case is cracked.** Using damaged battery pack may result in electric shock or fire.
12. **Do not disassemble charger or operate the charger if it has received a sharp blow, been dropped or otherwise damaged in any way.** Incorrect reassembly or damage may result in electric shock or fire.
13. **Before each use, check the battery charger, cable, plug and battery pack. Do not use if damage is detected. Never open the battery charger or battery pack yourself, take it to a qualified serviceman only using original replacement parts.** Incorrect reassembly or using damaged product may result in electric shock or fire.
14. **Do not use attachments not recommended or sold by Wagner.** Using attachments not recommended may result in electric shock or fire.
15. **Do not store battery pack in charger.** Battery pack stored in charger over a long period of time could lead to battery pack damage and fire.
16. **Unplug charger from outlet before storage, attempting any maintenance or cleaning.** Such preventive safety measures reduce the risk of electric shock or fire.
17. **Keep the battery charger clean by wiping the charger housing with a damp cloth.** Contamination may result in electric shock or fire.
18. **Replace battery pack if a substantial drop in operating time per charge is observed.** Battery pack may be nearing the end of its life.

BATTERY CARE



When batteries are not in tool or charger, keep them away from metal objects. For example, to protect terminals from shorting **DO NOT** place batteries in a tool box or pocket with nails, screws, keys, etc. Fire or injury may result.

Do not expose a battery pack or appliance to fire or excessive temperature. Exposure to fire or temperature above 265°F (130°C) may cause explosion.

BATTERY DISPOSAL



Do not attempt to disassemble the battery or remove any component projecting from the battery terminals. Fire or injury may result. Prior to disposal, protect exposed terminals with heavy insulating tape to prevent shorting.

LITHIUM-ION BATTERIES

If equipped with a lithium-ion battery, the battery must be collected, recycled or disposed of in an environmentally sound manner.

Visit www.call2recycle.org or call 1-877-723-1297 for more information regarding proper disposal of lithium-ion (Li-ion) batteries, or for locations near you where batteries can be recycled.

call2recycle

EXTENSION CORDS



AN EXTENSION CORD SHOULD NOT BE USED UNLESS ABSOLUTELY NECESSARY. Use of improper extension cord could result in risk of fire and electrical shock. If an extension cord is used, make sure:

IMPORTANT SAFETY INFORMATION • IMPORTANTES CONSIGNES DE SÉCURITÉ • INFORMACIÓN IMPORTANTE SOBRE SEGURIDAD

- The pins on plug of extension cord are the same number, size, and shape as those of plug on charger.
- The extension cord is properly wired and in good electrical condition.
- The wire size is large enough for AC ampere rating of charger as specified below:

Length of Cord, Feet	25	50	100	150
AWG Size of Cord	18	16	16	14

- An extension cord is a temporary solution. Move the charger to a standard receptacle as soon as the job has been completed.

IMPORTANT CHARGING NOTES

- The charger was designed to fast charge the battery only when the battery temperature is between 32°F (0°C) and 113°F (45°C). If the battery pack is too hot or too cold, the charger will not begin charging the battery. (This may happen if the battery pack is hot from heavy use). Once the battery temperature returns to its safe charging temperature, between 32°F (0°C) and 113°F (45°C), the charger will automatically begin charging.
- A substantial drop in operating time per charge may mean that the battery pack is nearing the end of its life and should be replaced.
- Remember to unplug charger during storage period.
- If battery does not charge properly:
 - Check for voltage at outlet by plugging in some other electrical device.
 - Check to see if outlet is connected to a light switch which turns power "off" when lights are turned off.
 - Check battery pack terminals and charger connectors for dirt. Clean with cotton swab and alcohol if necessary.
 - If you still do not get proper charging, call Wagner Product Support at 1-800-328-8251.



Use of chargers or battery packs not sold by Wagner will void the warranty.

FCC CAUTION

The manufacturer is not responsible for radio interference caused by unauthorized modifications to this equipment. Such modifications could void the user's authority to operate the equipment.

This device complies with Part 15 of the FCC Rules. Operation is subject to the following two conditions:

- This device may not cause harmful interference, and
- This device must accept any interference received, including interference that may cause undesired operation.

NOTE! This equipment has been tested and found to comply with the limits for a Class B digital device, pursuant to Part 15 of the FCC rules. These limits are designed to provide reasonable protection against harmful interference in a residential installation. This equipment generates uses and can radiate radio frequency energy and, if not installed and used in accordance with the instructions, may cause harmful interference to radio communications. However, there is no guarantee that interference will not occur in a particular installation. If this equipment does cause harmful interference to radio or television reception, which can be determined by turning the equipment off and on, the user is encouraged to try to correct the interference by one or more of the following measures:

- Reorient or relocate the receiving antenna.
- Increase the separation between the equipment and receiver.
- Connect the equipment into an outlet on a circuit different from that to which the receiver is connected.
- Consult the dealer or an experienced radio/TV technician for help. Consult the dealer or an experienced radio/TV technician for help.

ELECTRONIC CELL PROTECTION (ECP)

The lithium ion battery is protected against deep discharging by the "Electronic Cell Protection (ECP)". When the battery is empty, the tool is switched off by means of a protective circuit.

The battery is supplied partially charged. Completely charge the battery before using your cordless power tool for the first time. The lithium ion battery can be charged at any time, without reducing its service life. Interrupting the charging procedure does not damage the battery.

BATTERY / CHARGER LIST

For this product, use only the Wagner model batteries and charger listed below:

	Brand	Model	Part Number
Battery:	Wagner	BAT612 or 2422707	2445942
Charger:	Wagner	GAL18V-40	2422706



Use of any other battery packs may create risk of injury or fire. Use of chargers or battery packs not sold by Wagner will void the warranty.

F

RISQUES D'ACCIDENTS



RISQUE D'EXPLOSION OU D'INCENDIE

Les vapeurs inflammables, comme les vapeurs de solvant et de peinture, dans un espace de travail peuvent s'enflammer ou exploser.

PRÉVENTION :

- Ne pulvérisez pas de matières inflammables.
- Ne pulvérisez pas et ne les nettoyez pas avec des liquides ayant un point d'éclair inférieur à 38 °C (100 °F). Le point d'éclair est la température à laquelle un fluide peut produire suffisamment de vapeur pour s'enflammer.
- Vérifiez que tous les conteneurs ou systèmes de stockage sont reliés à la terre pour éviter les décharges d'électricité statique.
- La zone de pulvérisation doit toujours être bien aérée. Une bonne quantité d'air frais doit constamment traverser la zone de pulvérisation pour éviter les accumulations de vapeurs inflammables.
- N'actionnez pas d'interrupteurs électriques, de moteurs ou autres dispositifs produisant des étincelles dans la zone de pulvérisation.
- Maintenez la propreté de la zone et veillez à ce qu'elle ne contienne pas de conteneurs de peinture ou de solvant, de chiffons et autres matières inflammables.
- Sachez ce que contiennent la peinture et les solvants pulvérisés. Lisez les fiches de sécurité du matériel (SDS) et les étiquettes apposées sur les conteneurs de peintures et de solvants. Respectez les consignes de sécurité du fabricant de peinture et de solvant.
- Ayez un extincteur en bon état de fonctionnement à portée de main.



RISQUE DE CHOC ÉLECTRIQUE

Ce produit peut causer des blessures en raison du choc électrique.

PRÉVENTION :

- N'immergez jamais les composants électriques.
- Ne laissez jamais l'appareil sous la pluie. Entrez-le à l'intérieur.
- Garder la détente de l'appareil libres de toute produits ou de tout autre liquide. Le défaut de suivre toutes les directives énoncées peut provoquer un choc électrique.



RISQUE GÉNÉRAL

Ce produit peut causer des blessures graves ou des dommages matériels.

PRÉVENTION :

- Portez toujours les gants, la protection oculaire, les vêtements et un respirateur ou masque appropriés quand vous peignez. Vapeurs dangereuses – Les peintures, solvants, insecticides et autres matières peuvent être dangereux s'ils sont inhalés ou entrent en contact avec le corps. Les vapeurs peuvent provoquer d'importantes nausées, une perte de connaissance ou un empoisonnement.
- Ne travaillez pas et ne pulvérisez pas près d'enfants. Éloignez toujours les enfants de l'équipement.
- Ne travaillez pas avec les bras au-dessus de la tête ni sur un support instable. Appuyez-vous bien sur les deux pieds pour toujours conserver l'équilibre.
- Soyez attentif et regardez ce que vous faites.
- N'utilisez pas l'appareil quand vous êtes fatigué ou sous l'influence de drogues ou d'alcool.
- Ne pas pointer le pistolet vers une partie du corps.
- Observer tous les codes locaux, provinciaux, d'état et nationaux régissant la ventilation, la prévention des incendies et le fonctionnement de l'appareil.
- Aux États-Unis, le gouvernement a adopté des normes de sécurité en vertu de l'Occupational Safety and Health Act (OSHA). Le cas échéant, on doit les consulter, notamment les parties 1910 des normes générales et 1926 des normes de construction.
- N'utiliser que les pièces autorisées par le fabricant; les utilisateurs qui choisiront d'utiliser des composants dont les caractéristiques techniques et les exigences en matière de sécurité sont inférieures devront en assumer tous les risques et responsabilités.
- Ne pas pulvériser à l'extérieur par grands vents.

AVERTISSEMENT! AVERTISSEMENT EN FONCTION DE LA PROPOSITION 65 DE LA CALIFORNIE

Cet appareil peut vous exposer à des produits chimiques, y compris le plomb, reconnu par l'État de la Californie pour causer le cancer, des anomalies congénitales ou d'autres troubles de la reproduction.

Pour de plus amples renseignements, consultez le site Web www.P65warnings.ca.gov.

CONFORMITÉ



Cet outil est répertorié par l'Association canadienne de normalisation, selon les normes des États-Unis et du Canada.

CONSIGNES DE SÉCURITÉ APPLICABLES AUX CHARGEURS

1. **CONSERVER CES INSTRUCTIONS.** Ce mode d'emploi contient des instructions d'utilisation et des consignes de sécurité importantes pour le chargeur de piles Wagner modèle GAL18V-40. Ne lui substituez aucun autre chargeur.
2. **Avant d'utiliser le chargeur de piles, lisez toutes les instructions et tous les avertissements figurant sur (1) le chargeur de piles, (2) le bloc-piles et (3) le produit utilisant les piles.**
3. **Pour réduire le nombre de blessures, chargez uniquement des piles rechargeables indiquées la liste des batteries.** D'autres types de piles risqueraient d'éclater et de causer ainsi des blessures et des dommages.
4. **Chargez le bloc-piles à des températures supérieures à +32 degrés F (0 degré C) et inférieures à +113 degrés F (45 degrés C). Rangez l'outil et le bloc-piles à des endroits dont la température ne dépassera pas 120 degrés F (49 degrés C).** Ceci est important pour ne pas risquer de causer des dommages graves aux cellules des piles.
5. **Ne rechargez pas les piles dans un environnement humide ou mouillé. N'exposez pas le chargeur à la pluie ou à la neige.** La pénétration d'eau dans le chargeur de piles risquerait de causer un choc électrique ou un incendie.
6. **Ne submergez jamais le bloc-piles, l'outil ou le chargeur dans un liquide de quelque sorte que ce soit, et ne permettez pas l'entrée de liquide à l'intérieur.** Les liquides corrosifs ou conducteurs (tels que l'eau de mer, les produits chimiques industriels ou les produits contenant de l'eau de Javel, etc.) peuvent provoquer des courts-circuits qui peuvent causer un incendie, des dommages corporels et des dommages matériels.
7. **Il peut y avoir une fuite de pile dans des conditions extrêmes d'utilisation ou de température. Évitez tout contact avec la peau et les yeux.** Le liquide de pile est caustique et pourrait causer des brûlures chimiques aux tissus. Si le liquide vient en Vous devez lire toutes les instructions. Le non-respect, même partiel, des instructions ci-après entraîne un risque de choc électrique, d'incendie et/ou de blessures graves.
8. **Placez le chargeur sur des surfaces plates et non inflammables, et à distance de tous matériaux inflammables, lorsque vous rechargez le bloc-piles.** De la moquette et d'autres surfaces thermiquement isolantes bloquent une circulation appropriée de l'air, ce qui pourrait causer une surchauffe du chargeur et du bloc-piles. Si vous observez de la fumée ou si vous voyez que le chargeur ou le bloc-piles commence à fondre, débranchez immédiatement le chargeur et ne vous servez plus du chargeur ou du bloc-piles. Contactez immédiatement le service à la clientèle.
9. **Assurez-vous que le cordon est placé à un endroit où il ne sera pas piétiné, ou il ne fera trébucher personne et où il ne sera pas exposé par ailleurs à des dommages ou à des contraintes.** Une fiche et un cordon endommagés pourraient causer un choc électrique ou un incendie.
10. **Débranchez le chargeur en tirant sur la fiche et non sur le cordon. N'utilisez pas un chargeur dont le cordon ou la fiche est endommagé ; faites-les remplacer immédiatement.** Une fiche ou un cordon endommagé pourrait causer un choc électrique ou un incendie.
11. **N'insérez pas de bloc-piles dans le chargeur si le boîtier du bloc-piles est fissuré.** L'utilisation d'un bloc-piles endommagé pourrait causer un choc électrique ou un incendie.
12. **Ne démontez pas le chargeur et ne l'utilisez pas s'il a reçu un impact violent, s'il est tombé ou s'il a été endommagé par ailleurs d'une quelconque autre façon.** Un réassemblage incorrect ou un endommagement pourrait causer un choc électrique ou un incendie.
13. **Inspectez le chargeur de piles, le câble, la fiche et le bloc-piles avant chaque emploi. Ne pas utiliser si un dommage est détecté. N'ouvrez jamais le chargeur de piles ou le bloc-piles vous-même ; apportez-le dans un chez un réparateur qualifié n'utilisant que des pièces de rechange d'origine.** Un remontage incorrect ou l'utilisation d'un produit endommagé pourrait causer un choc électrique ou un incendie.
14. **N'utilisez pas d'accessoire qui n'est pas recommandé ou vendu par Wagner.** L'utilisation d'accessoires non recommandés pourrait causer un choc électrique ou un incendie.
15. **Ne rangez pas le chargeur avec un bloc-piles à l'intérieur.** Le stockage d'un bloc-piles à l'intérieur d'un chargeur pendant une période prolongée pourrait endommager le bloc-piles et risquerait même de causer un incendie.
16. **Débranchez le chargeur de la prise de courant avant de le ranger, d'effectuer une opération de maintenance ou de réparation, ou de le nettoyer.** De telles mesures préventives en matière de sécurité réduisent le risque de choc électrique ou d'incendie.
17. **Gardez le chargeur de piles propre en essuyant le boîtier du chargeur avec un tissu humide.** Tout contamination pourrait causer un choc électrique ou un incendie.
18. **Remplacez le bloc-piles si vous constatez une baisse substantielle de l'autonomie de fonctionnement après les recharges.** Cela signifie peut-être que le bloc-piles s'approche de la fin de sa vie utile.

ENTRETIEN DES PILES



Lorsque les piles ne sont pas dans l'outil ou le chargeur, gardez-les à l'écart d'objets métalliques. Ainsi, pour éviter un court-circuitage des bornes, **NE PLACEZ PAS** les piles dans la boîte à outils ou dans la poche avec des clous, des vis, des clés, etc. Ceci peut provoquer un incendie ou des blessures.

N'exposez pas une batterie ou un appareil au feu ou à une température excessive. L'exposition au feu ou à une température supérieure à 130 °C peut provoquer une explosion.

MISE AU REBUT DES PILES



Ne tentez pas de désassembler le bloc-piles ou d'enlever tout composant faisant saillie des bornes de piles, ce qui peut provoquer un incendie ou des blessures. Avant la mise au rebut, protégez les bornes exposées à l'aide d'un ruban isolant épais pour prévenir le court-circuitage.

PILES LITHIUM-ION

Si le produit est équipé d'une pile lithium-ion, la pile doit être ramassée, recyclée ou mise au rebut d'une manière qui ne soit pas nocive pour l'environnement.

Consultez le site www.call2recycle.org ou composez le 1-877-723-1297 pour en savoir plus sur l'élimination appropriée des batteries lithium-ion (Li-ion) ou pour connaître les endroits près de chez vous où les batteries peuvent être recyclées.



CORDONS DE RALLONGE



UN CORDON DE RALLONGE NE DOIT ÊTRE UTILISÉ QUE S'IL EST ABSOLUMENT NÉCESSAIRE. L'utilisation d'un cordon de rallonge inapproprié peut créer un risque d'incendie et de chocs électriques. Si un cordon de rallonge doit être utilisé, assurez-vous que :

- a. la fiche du cordon de rallonge possède des broches de nombre, dimensions et forme identiques à ceux de la fiche du chargeur ;
- b. le cordon de rallonge est bien câblé et en bon état électrique ;
- c. le fil est de calibre suffisant pour l'intensité nominale en c.a. du chargeur, comme indiqué ci-après ;

Longueur du fil, en pieds	25	50	100	150
Calibre AWG du fil	18	16	16	14

- d. un cordon de rallonge constitue une solution temporaire. Déplacez le chargeur à une prise standard dès que le travail est terminé.

REMARQUES IMPORTANTES CONCERNANT LA CHARGE

1. De même, le chargeur n'est destiné qu'à la charge rapide des bloc-piles dont la température se situe entre 0°C (32°F) et 45°C (113°F). Si le bloc-piles est trop chaud ou trop froid, le chargeur ne commencera pas à charger les piles. (Chose possible si le bloc-piles devient trop chaud à l'usage intensif). Une fois que la température des piles sera revenue dans la plage de températures de charge ne présentant pas de danger, à savoir entre 32° F (0° C) et 113° F (45° C), le chargeur commencera automatiquement à les charger.
2. Une diminution marquée de la réserve énergétique entre les charges peut signaler l'épuisement du bloc-piles et le besoin d'un remplacement.
3. N'oubliez pas de débrancher le chargeur durant la période de remisage.
4. Si le bloc-piles ne se charge pas normalement :
 - a. Vérifiez la présence de courant à la prise en y branchant un autre appareil électrique.
 - b. Vérifiez si la prise n'est pas raccordée conjointement à un interrupteur qui servirait à éteindre les lumières.
 - c. Inspectez les bornes du bloc-piles et les connecteurs du chargeur pour vous assurer qu'ils ne sont pas sales. Nettoyez avec un coton-tige et de l'alcool si nécessaire.
 - d. Si vous n'obtenez toujours pas une charge appropriée, appelez le Support de Produit de Wagner au 1-800-328-8251.



L'utilisation de chargeurs ou de batterie non vendus par Wagner annule la garantie.

MISE EN GARDE DE LA FCC

Le fabricant n'est pas responsable des perturbations radioélectriques causées par des modifications non autorisées de ce matériel. De telles modifications pourraient annuler le droit de l'utilisateur de se servir de ce matériel.

Cet appareil est conforme à la Partie 15 des Règles de la FCC. Son exploitation est sujette au respect de deux conditions :

- 1) Cet appareil ne risque pas de causer des interférences nuisibles ; et
- 2) Cet appareil doit accepter toutes les interférences reçues, y compris les interférences qui peuvent causer un fonctionnement indésirable.

REMARQUE : ce matériel a été testé et il a été démontré qu'il respecte les limites fixées pour un appareil numérique de Classe B, conformément à la Partie 15 des Règles de la FCC. Ces limites sont conçues de manière à assurer une protection raisonnable contre les perturbations nuisibles dans une installation résidentielle. Ce matériel produit, utilise

IMPORTANT SAFETY INFORMATION • IMPORTANTES CONSIGNES DE SÉCURITÉ • INFORMACIÓN IMPORTANTE SOBRE SEGURIDAD

et peut rayonner de l'énergie de fréquence radioélectrique et, s'il n'est pas installé et utilisé conformément aux instructions, il risque de causer des perturbations nuisibles aux communications radio. Cependant, il n'est pas possible de garantir qu'aucune perturbation ne résultera d'une installation particulière. Si ce matériel cause des perturbations radioélectriques nuisibles affectant la réception de la radio ou de la télévision – ce qui peut être déterminé en mettant ce matériel sous tension et hors tension – l'utilisateur devrait essayer de remédier à de telles perturbations en prenant une ou plusieurs des mesures suivantes :

- Changer l'orientation de l'antenne de réception ou la placer à un autre endroit.
- Augmenter la distance entre le matériel et le récepteur.
- Brancher le matériel dans une prise de courant faisant partie d'un circuit différent de celui auquel le récepteur est connecté.
- Consulter le revendeur ou un technicien radio/télévision expérimenté pour obtenir de l'aide.

SYSTÈME ECP (ELECTRONIC CELL PROTECTION)

La pile lithium-ion est protégée contre les décharges profondes par un système ECP (Electronic Cell Protection). Lorsque la pile est vide, l'outil est mis automatiquement hors service au moyen d'un circuit de protection.

La pile est fournie partiellement chargée. Chargez complètement la pile avant d'utiliser votre tournevis sans fil pour la première fois. Chargez complètement les piles avant de vous servir de votre outil électrique sans fil pour la première fois. L'interruption de la procédure de charge n'endommage pas la pile.

LISTE DES BATTERIES/CHARGEURS

Pour ce produit, utilisez uniquement les batteries et le chargeur de modèle Wagner répertoriés ci-dessous :

	Marque	Modèle	Numéro de pièce
Batterie :	Wagner	BAT612 ou 2422707	2445942
Chargeur :	Wagner	GAL18V-40	2422706



L'utilisation de toute autre batterie peut créer un risque de blessure ou d'incendie.

L'utilisation de chargeurs ou de batterie non vendus par Wagner annule la garantie.

ES

PELIGROS DE SEGURIDAD



PELIGRO: EXPLOSIÓN O INCENDIO

Los vapores inflamables, como vapores de solvente y pintura, en el área de trabajo se pueden encender o pueden explotar.

PREVENCIÓN:

- No pulverice materiales inflamables ni combustibles.
- No pulverice ni limpie con líquidos que tengan un punto de inflamación por debajo de 38 °C (100 °F). El punto de inflamación es la temperatura a la que un fluido puede producir vapor suficiente como para incendiarse.
- Compruebe que todos los recipientes y sistemas de recogida están conectados a tierra para evitar descargas eléctricas.
- Mantenga la zona de pulverización bien ventilada. Asegúrese de que circula aire fresco por la zona para evitar que se acumulen vapores inflamables en el aire de la zona de pulverización.
- No encienda interruptores de luces, motores ni productos similares que puedan producir chispas en la zona de pulverización.
- Mantenga la zona limpia y despejada de botes de pintura y disolventes, trapos y otros materiales inflamables.
- Infórmese del contenido de la pintura y de los disolventes que pulverice. Lea las hojas de datos sobre seguridad de los materiales (SDS) y las etiquetas en los botes de pintura y disolvente. Siga las instrucciones de seguridad del fabricante de la pintura y del disolvente.
- Deberá contar con equipos extintores de incendios que funcionen correctamente.



PELIGRO: DESCARGA ELÉCTRICA

Este producto puede causar lesiones debido a descargas eléctricas.

PREVENCIÓN:

- Nunca sumerja las piezas eléctricas.
- Nunca exponga el equipo a la lluvia. Almacénelo bajo techo.
- Mantenga el gatillo del pulverizador libres de producto y otros líquidos. El incumplimiento de lo anterior puede resultar en electrocución.



PELIGRO: GENERAL

Este producto puede causar lesiones graves o daños a la propiedad.

PREVENCIÓN:

- Cuando pinte, lleve siempre guantes, protección para los ojos, ropa y un respirador o máscara adecuados. Vapores peligrosos: Las pinturas, disolventes, insecticidas y otros materiales pueden ser perjudiciales si se inhalan o entran en contacto con el cuerpo. Los vapores pueden producir náuseas intensas, desmayos o envenenamiento.
- Nunca utilice el aparato ni pulverice cerca de niños. Mantenga el equipo alejado de los niños en todo momento.
- No se estire demasiado ni se apoye sobre un soporte inestable. Mantenga los pies bien apoyados y el equilibrio en todo momento.
- No se distraiga y tenga cuidado con lo que hace.
- No utilice el aparato si está fatigado o se encuentra bajo la influencia del alcohol o de las drogas.
- NUNCA apunte la pistola a ninguna parte del cuerpo.
- Siga todos los códigos locales, estatales y nacionales correspondientes que rijan la ventilación, prevención de incendios y operación.
- Se han adoptado las normas de seguridad del Gobierno de los Estados Unidos según la Ley de seguridad ocupacional y salud (Occupational Safety and Health Act, OSHA). Deben consultarse estas normas, particularmente el apartado 1910 de las Normas generales y el apartado 1926 de las Normas de construcción.
- Utilice solamente componentes autorizados por el fabricante. El usuario asume todos los riesgos y responsabilidades cuando usa piezas que no cumplen con las especificaciones mínimas y los requisitos de dispositivos de seguridad del fabricante de la turbina.
- No pinte en exteriores en días con viento.

¡ADVERTENCIA! ADVERTENCIA DE LA PROPUESTA 65 DE CALIFORNIA

Este producto lo puede exponer a productos químicos, como el plomo, que el estado de California sabe que producen cáncer, defectos congénitos u otros daños reproductivos.

Para obtener más información, visite www.P65warnings.ca.gov.

CUMPLIMIENTO



Esta herramienta se menciona en la lista de la Canadian Standards Association, conforme a normas de Estados Unidos y Canadá.

NORMAS DE SEGURIDAD PARA CARGADORES

1. **GUARDE ESTAS INSTRUCCIONES:** Este manual contiene instrucciones de seguridad y utilización importantes para el cargador de baterías modelo GAL18V-40. No lo sustituya por ningún otro cargador.
2. **Antes de utilizar el cargador de baterías, lea todas las instrucciones y marcas de advertencia que se encuentran en (1) el cargador de baterías, (2) el paquete de batería y (3) el producto que utiliza baterías.**
3. **Para reducir el riesgo de lesiones, cargue solamente las baterías recargables que se indican la lista de baterías.** Otros tipos de baterías pueden reventar, causando lesiones corporales y daños.
4. **Cargue el paquete de batería a temperaturas por encima de +32 grados F (0 grados C) y por debajo de +113 grados F (45 grados C). Almacene la herramienta y el paquete de batería en lugares en los que las temperaturas no excedan 120 grados F (49 grados C).** Esto es importante para prevenir daños graves a las celdas de la batería.
5. **No recargue la batería en un ambiente húmedo o mojado. No exponga el cargador ni a la lluvia ni a la nieve.** La entrada de agua en el cargador de baterías puede causar descargas eléctricas o incendio.
6. **No sumerja nunca el paquete de batería, la herramienta o el cargador en ningún tipo de líquido ni permita que entre líquido en ellos.** Los líquidos corrosivos o conductores (tales como el agua de mar o los productos que contengan sustancias químicas industriales o blanqueador, etc.) pueden provocar un cortocircuito que es posible que cause incendio, lesiones corporales y daños materiales.
7. **Se puede producir un escape del líquido de las baterías bajo condiciones extremas de uso o de temperatura.** Evite el contacto con la piel y los ojos. El líquido de la batería es cáustico y podría causar quemaduras químicas en los tejidos. Si el líquido entra en contacto con la piel, lávela rápidamente con agua y jabón. Si el líquido entra en contacto con los ojos, enjuáguelos con agua durante un mínimo de 10 minutos y obtenga atención médica.
8. **Coloque el cargador sobre superficies planas ininflamables y alejado de materiales inflamables cuando recargue el paquete de batería.** Las alfombras y otras superficies termoaislantes bloquean la circulación apropiada de aire, lo cual puede causar sobrecalentamiento del cargador y del paquete de batería. Si se observa humo o derretimiento del cargador o del paquete de batería, desenchufe inmediatamente el cargador y no utilice el paquete de batería ni el cargador. Contacte inmediatamente a servicio al cliente.
9. **Asegúrese de que el cable de alimentación esté ubicado de manera que no se pueda pisar ni tropezar en él, ni que pueda sufrir daños ni someterse a esfuerzo excesivo de alguna otra manera.** El enchufe y el cable de alimentación dañados pueden causar descargas eléctricas o incendio.
10. **Desconecte el cargador jalando el enchufe en lugar de jalando el cable de alimentación. No utilice el cargador con el cable de alimentación o el enchufe**

IMPORTANT SAFETY INFORMATION • IMPORTANTES CONSIGNES DE SÉCURITÉ • INFORMACIÓN IMPORTANTE SOBRE SEGURIDAD

dañado; haga que reemplacen el cable o el enchufe de inmediato. Un enchufe o un cable de alimentación dañado puede causar descargas eléctricas o incendio.

- No inserte el paquete de batería en el cargador si la carcasa del paquete de batería está agrietada.** La utilización de un paquete de batería dañado puede causar descargas eléctricas o incendio.
- No desensamble el cargador ni lo utilice si ha recibido un golpe fuerte, se ha caído o se ha dañado de alguna otra manera.** Un reensamblaje incorrecto o los daños pueden causar descargas eléctricas o incendio.
- Antes de cada uso, compruebe el cargador de baterías, el cable, el enchufe y el paquete de batería. No utilice la unidad si se detecta algún daño. No abra nunca el cargador de baterías ni el paquete de batería usted mismo, llévelo a un técnico de servicio calificado que utilice únicamente piezas de repuesto originales.** Es posible que un reensamblaje incorrecto o la utilización del producto dañado causen descargas eléctricas o incendio.
- No utilice un aditamento no recomendado o no vendido por Wagner.** La utilización de aditamentos no recomendados puede causar descargas eléctricas o incendio.
- No almacene el paquete de batería en el cargador.** El paquete de batería almacenado en el cargador durante un período de tiempo prolongado podría causar daños al paquete de batería e incendio del mismo.
- Desenchufe el cargador del tomacorriente antes de almacenarlo, intentar cualquier mantenimiento o limpiarlo.** Dichas medidas preventivas de seguridad reducen el riesgo de descargas eléctricas o incendio.
- Mantenga limpio el cargador de baterías limpiando la carcasa del cargador con un paño húmedo.** La contaminación puede causar descargas eléctricas o incendio.
- Reemplace el paquete de batería si se observa un descenso sustancial del tiempo de funcionamiento por carga.** Es posible que el paquete de batería se esté acercando al final de su vida útil.

CUIDADO DE LAS BATERÍAS



Cuando las baterías no están en la herramienta o en el cargador, manténgalas alejadas de objetos metálicos. Por ejemplo, para evitar que las terminales hagan cortocircuito, **NO** ponga las baterías en una caja de herramientas o en un bolsillo con clavos, tornillos, llaves, etc. Se pueden producir un incendio o lesiones.

No exponga un paquete de baterías o un aparato al fuego o a una temperatura excesiva. La exposición al fuego o a una temperatura superior a 130 °C puede provocar una explosión.

ELIMINACIÓN DE LAS BATERÍAS



No intente desarmar la batería ni quitar ninguno de los componentes que sobresalen de las terminales de la batería. Se pueden producir lesiones o un incendio. Antes de tirarla, proteja las terminales que están al descubierto con cinta adhesiva aislante gruesa para prevenir cortocircuitos.

BATERÍAS DE IONES DE LITIO

Si este producto está equipado con una batería de iones de litio, dicha batería debe recogerse, reciclarse o eliminarse de manera segura para el medio ambiente.

Visite www.call2recycle.org o llame al 1-877-723-1297 para obtener más información acerca de la eliminación adecuada de baterías de iones de litio (Li-ion) o para conocer lugares cerca de usted donde se pueden reciclar las baterías.

call2recycle®

CORDONES DE EXTENSIÓN



NO SE DEBE UTILIZAR UN CORDÓN DE EXTENSIÓN A NO SER QUE SEA ABSOLUTAMENTE NECESARIO. La utilización de un cordón de extensión inapropiado podría dar lugar a peligro de incendio y sacudidas eléctricas. Si se debe utilizar un cordón de extensión, asegúrese de que:

- Las terminales del enchufe del cordón de extensión tengan el mismo número, tamaño y forma que las del enchufe del cargador.
- El cordón de extensión esté conectado adecuadamente y en buenas condiciones eléctricas.
- El tamaño del cable sea suficientemente grande para la capacidad nominal en amperios AC del cargador según se especifica a continuación:

Longitud del cordón, pies:	25	50	100	150
Tamaño del cordón según el cali-breamericano de alambres (AWG)	18	16	16	14

- Un cordón de extensión es una solución provisional. Lleve el cargador a un tomacorriente estándar en cuanto se haya terminado el trabajo.

NOTAS IMPORTANTES PARA CARGAR

- El cargador fue diseñado para cargar la batería rápidamente sólo cuando la temperatura de la batería está entre 0°C (32°F) y 45°C (113°F). Si el paquete de baterías está demasiado caliente o demasiado frío, el cargador no cargará rápidamente la batería. (Esto puede ocurrir si el paquete de baterías está caliente debido a una utilización intensa). Una vez que la temperatura de la batería regresa a su intervalo de carga segura, entre 32 °F (0 °C) y 113 °F (45 °C), el cargador comenzará automáticamente a cargar.
- Un descenso considerable en el tiempo de funcionamiento por carga puede significar que el paquete de baterías se está acercando al final de su vida y que debe ser sustituido.
- Recuerde desenchufar el cargador durante el período de almacenamiento.
- Si la batería no carga adecuadamente:
 - Compruebe que hay tensión en el toma corriente enchufando algún otro dispositivo eléctrico.
 - Compruebe si el tomacorriente está conectado a un interruptor de luz que corta el suministro de energía cuando se apagan las luces.
 - Compruebe los terminales del paquete de batería y los conectores del cargador para determinar si tienen suciedad. Si es necesario, límpielos con un bastoncillo de algodón y alcohol.
 - Si aún no puede cargar correctamente, llame a Soporte de Producto de Wagner al 1-800-328-8251.



La utilización de cargadores o paquetes de batería no vendidos por Wagner anulará la garantía.

AVISO DE PRECAUCIÓN DE LA FCC

El fabricante no es responsable de la radiointerferencia causada por las modificaciones no autorizadas que se realicen en este equipo. Dichas modificaciones podrían anular la autoridad del usuario para utilizar el equipo.

Este dispositivo cumple con la Parte 15 de las Reglas de la FCC. El funcionamiento está sujeto a las dos condiciones siguientes:

- Este dispositivo no puede causar interferencias nocivas y
- Este dispositivo debe aceptar cualquier interferencia recibida, incluyendo interferencia que pueda causar un funcionamiento no deseado.

NOTA: Este equipo ha sido sometido a pruebas y se ha comprobado que cumple con los límites para un dispositivo digital de Clase B, conforme a la parte 15 de las Normas de la FCC. Estos límites están diseñados para proporcionar protección razonable contra la interferencia perjudicial en una instalación residencial. Este equipo genera, usa y puede irradiar energía de radiofrecuencia y, si no se instala y utiliza de acuerdo con las instrucciones, puede causar interferencia perjudicial para las radiocomunicaciones. Sin embargo, no hay garantía de que no vaya a ocurrir interferencia en una instalación específica. Si este equipo causa interferencia perjudicial para la recepción de radio o televisión, lo cual se puede determinar apagando y encendiendo el equipo, se recomienda al usuario que intente corregir la interferencia tomando una o más de las medidas siguientes:

- Reoriente o reubique la antena receptora.
- Aumente la separación entre el equipo y el receptor.
- Conecte el equipo a un tomacorriente que esté en un circuito distinto al circuito al que el receptor esté conectado.
- Consulte al distribuidor o a un técnico experto en radio/TV para obtener ayuda.

“PROTECCIÓN CON CÉLULAS ELECTRÓNICAS” (ELECTRONIC CELL PROTECTION, ECP)

La batería de iones de litio está protegida contra la descarga profunda por la “protección con células electrónicas” (Electronic Cell Protection, ECP). Cuando la batería esté vacía, la herramienta se apagará por medio de un circuito protector.

La batería se suministra parcialmente cargada. Cargue completamente la batería antes de utilizar la herramienta eléctrica por primera vez. La batería de iones de litio se puede cargar en cualquier momento, sin reducir su vida de servicio. La interrupción del procedimiento de carga no daña la batería.

LISTA DE BATERÍAS/CARGADORES

Para este producto, solo use las baterías y cargadores de modelo Wagner que se indican a continuación:

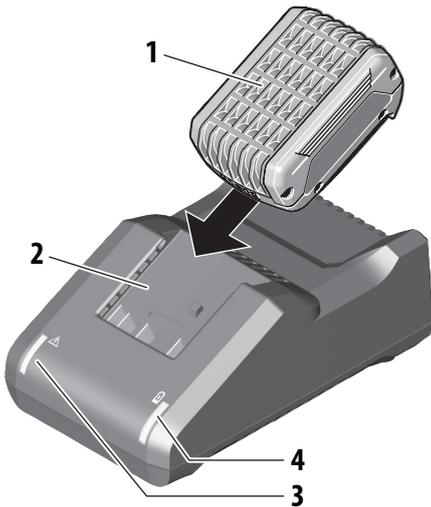
	Marca	Modelo	Número de pieza
Batería:	Wagner	BAT612 o 2422707	2445942
Cargador:	Wagner	GAL18V-40	2422706



L'utilisation de toute autre batterie peut créer un risque de blessure ou d'incendie.

La utilización de cargadores o paquetes de batería no vendidos por Wagner anulará la garantía.

CHARGING THE BATTERY PACK • CHARGE DU BLOC-PILES • CARGA DEL PAQUETE DE BATERÍAS



Plug charger cord into your standard power outlet.

With no battery pack (1) inserted, the charger's green indicator light (4) will go ON. This indicates the charger is receiving power and the charger is ready for operation.

Branchez le cordon d'alimentation du chargeur dans votre prise de courant standard.

Si le bloc-piles (1) n'est pas inséré, le voyant lumineux vert du chargeur (4) s'allumera. Ceci indique que le chargeur reçoit alors une alimentation électrique et que le chargeur est prêt à fonctionner.

Enchufe el cable del cargador en un tomacorriente estándar.

Si el paquete de batería (1) no está insertado, la luz indicadora (4) verde del cargador se ENCENDERÁ. Esto indica que el cargador está recibiendo alimentación eléctrica y que el cargador está listo para funcionar.



When you insert the battery pack (1) into the charger (2). The charger's green indicator light (4) will begin to "BLINK". This indicates that the battery is receiving a fast charge.

Once approximately 80% battery capacity has been reached, the blinking of green light will slow down, indicating that fast charging is now complete. If battery remains in charger, the charging process is completed in Long Life charging mode.

The purpose of the rapidly "BLINKING" green light is to indicate that the battery pack is fast-charging. It does not indicate the exact point of full charge. The light will stop blinking when battery is fully charged.



Continuous green battery charger light (4) indicates that the battery is fully charged.

However, the battery pack may be used at any time, even if the green light is still blinking.



A steady red indicator light (3) means that the battery pack is outside the proper temperature ranges (too hot or too cold) so the charger will not begin the charging process. Charging (Fast or Long Life

Charging Mode) is only possible when the temperature range of the battery pack is between 32°F (0°C) and 113°F (45°C).

As soon as the battery pack reaches the correct temperature range, the battery charger will automatically switch to fast charging.



If the red indicator light (3) is "BLINKING", the battery pack cannot accept a charge. This may be due to the contacts on the charger or battery pack is contaminated, the battery pack itself may be defective, or battery may be wrong type for this charger.

- Confirm battery compatibility with charger by checking list of genuine Bosch/AMPSHare battery packs
- If applicable, insert another compatible battery pack into charger to verify charger is working properly.
- Clean the contacts of the charger or battery pack (e. g. by using a cotton swab and alcohol on battery and charger terminals or inserting and removing the battery several times) or replace the battery pack, as required.

When the battery pack is fully charged, unplug the charger (unless you're charging another battery pack) and slip the battery pack back into the tool.



Lorsque vous insérez le bloc-piles (1) dans le chargeur (2). Le voyant lumineux vert (4) du chargeur commencera à « CLIGNOTER ». Ceci indique que les piles sont en train de recevoir une charge rapide.

Après qu'une capacité de charge des piles d'environ 80 % aura été atteinte, le rythme de clignotement du voyant lumineux vert se ralentira, indiquant ainsi que la charge rapide est maintenant terminée. Si le bloc-piles reste dans le chargeur, le processus de charge est effectué dans le mode de charge « Long Life » (longue durée de vie).

La raison d'être du « CLIGNOTEMENT » rapide du voyant lumineux est pour indiquer que le bloc-piles est en mode de charge rapide. Ceci n'indique pas le point exact d'atteinte de la pleine charge. Le voyant cessera de clignoter quand les piles seront totalement chargées.



L'allumage continu du voyant lumineux vert du chargeur (4) de piles indique que les piles sont totalement chargées.

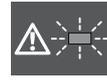
Cependant, le bloc-piles peut être utilisé à tout moment, même si le voyant lumineux vert clignote toujours.



Un voyant lumineux rouge (3) constamment éclairé signifie que le bloc-piles est en dehors de la plage de températures appropriée (trop chaud ou trop froid); dans ce cas le chargeur ne commencera pas le processus de charge.

Une charge (mode de charge rapide ou mode de charge pour une longue durée de vie) n'est possible que quand la plage de température du bloc-piles est comprise entre 32° F (0° C) et 113° F (45° C).

Dès que le bloc-piles aura atteint la plage de température correcte, le chargeur de piles se mettra automatiquement en mode de charge rapide.



Si le voyant lumineux rouge (3) « CLIGNOTE », cela signifie que le bloc-piles ne peut pas accepter de charge. Ceci peut être causé par le fait que les contacts sur le chargeur ou sur le bloc-piles sont contaminés, que le bloc-piles lui-même peut être défectueux ou que les piles utilisées ne sont pas appropriées pour ce chargeur.

• Vérifiez la compatibilité des piles avec le chargeur en consultant la liste des piles authentiques de Bosch/AMPSHare.

• Le cas échéant, insérez un autre bloc-piles compatible dans le chargeur afin de confirmer que le chargeur fonctionne correctement.

• Nettoyez les contacts du chargeur ou du bloc-piles (p. ex., en utilisant un coton-tige et de l'alcool sur les piles ou en insérant et retirant les piles plusieurs fois de suite) ou remplacez le bloc-piles, suivant les besoins.

Lorsque le bloc-piles est totalement chargé, débranchez le chargeur (sauf si vous êtes en train de charger un autre bloc-piles) et glissez à nouveau le bloc-piles à l'intérieur de l'outil.



Cuando inserte el paquete de batería (1) en el cargador (2), la luz indicadora verde del cargador (4) comenzará a "PARPADEAR". Esto indica que la batería está recibiendo una carga rápida.

Una vez que se haya alcanzado aproximadamente el 80% de la capacidad de la batería, el parpadeo de la luz verde se volverá más lento, lo cual indica que el proceso de carga rápida se ha completado en ese momento. Si la batería permanece en el cargador, el proceso de carga se completa en el modo de carga de larga duración.

El propósito de la luz verde que "PARPADEA" rápidamente es indicar que el paquete de batería se está cargando rápidamente. No indica el punto exacto en que se alcanza la carga completa. La luz dejará de parpadear cuando la batería esté completamente cargada.



Una luz verde (4) continua en el cargador de baterías indica que la batería está completamente cargada.

Sin embargo, el paquete de batería se podrá usar en cualquier momento, incluso si la luz verde aún está parpadeando.



Una luz indicadora roja (3) continua significa que el paquete de batería está fuera de los intervalos de temperatura apropiados (demasiado caliente o demasiado frío), por lo cual el cargador no comenzará el proceso de carga. El proceso

de carga (modo de carga rápida o de larga duración) sólo es posible cuando el intervalo de temperatura del paquete de batería está entre 32° F (0° C) y 113° F (45° C).

En cuanto el paquete de batería alcance el intervalo de temperatura correcto, el cargador de batería cambiará automáticamente a carga rápida.



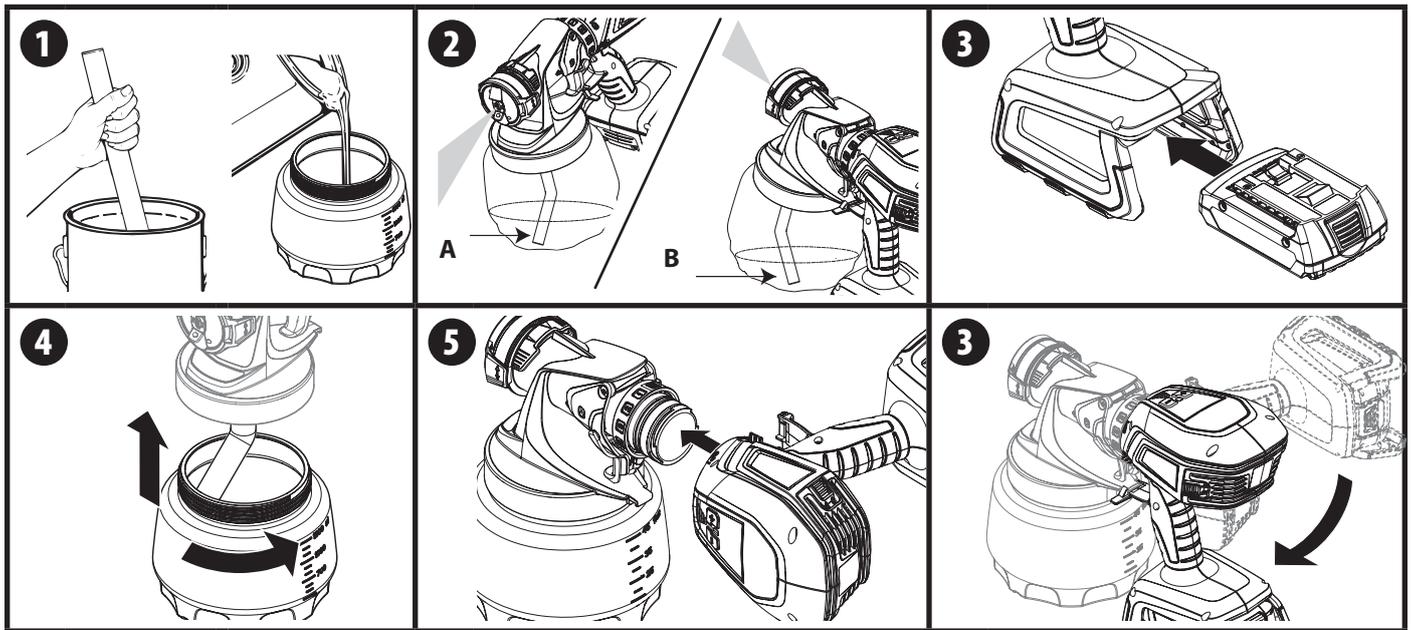
Si la luz indicadora roja (3) está "PARPADEANDO", el paquete de batería no puede aceptar una carga. Puede que esto se deba a que los contactos del cargador o del paquete de batería están contaminados, a que el propio paquete de batería está defectuoso o a que la batería es de tipo incorrecto para este cargador.

• Confirme la compatibilidad de la batería con el cargador consultando la lista de paquetes de batería genuinos Bosch/AMPSHare que aparece.

• Si es pertinente, inserte otro paquete de batería compatible en el cargador, para verificar si éste está funcionando correctamente.

• Limpie los contactos del cargador o del paquete de batería (p. ej., usando un bastoncillo de algodón y alcohol en los terminales de la batería y del cargador, o insertando y retirando varias veces la batería) o reemplace el paquete de batería, según sea necesario.

Cuando el paquete de batería esté completamente cargado, desenchufe el cargador (a menos que esté cargando otro paquete de batería) y deslice el paquete de batería hacia el interior de la herramienta.



THINNING THE MATERIAL

Before spraying, the material being used may need to be thinned with the proper solvent as specified by the material manufacturer. Never exceed the thinning advice given by the coating manufacturer.

If thinning is necessary, use water or paint conditioner (such as Paint Easy™) for water-based materials, mineral spirits for oil-based materials. Never exceed the thinning advice given by the coating manufacturer.

Do not thin with materials that have a flashpoint below 100°F (38°C).

SETUP

NEVER point the spray gun at any part of the body.

1. Stir the spraying material thoroughly. Fill the container. Use a strainer to remove any particles.
2. Align the pickup tube -
 - A If spraying downward, the angled end of the pickup tube should be pointing toward the front of the nozzle.
 - B If spraying upward, the angled end of the pickup tube should be pointing toward the rear of the nozzle.

Make sure the pickup tube is inserted as far as it will go to ensure a tight fit.

Never tip the sprayer upward at more than a 45° angle. Material could get into the turbine and damage the sprayer.

3. Make sure the battery is fully charged (see instructions on page 7). Insert the battery into the bottom of the turbine handle as shown until it clicks into place.
4. Carefully screw the cup back onto the nozzle assembly. Tighten firmly.
5. Align the arrow on the nozzle with the "unlock" symbol on the spray gun handle.
6. Insert and twist the nozzle into the handle toward the "lock" symbol on the handle. The tab below the trigger will lock the two pieces into place.

If the unit has already been used, make sure the nozzle seal is in place (see page 11). Do not pull trigger at any time if the turbine is not running. Paint will drip from the nozzle.

DILUER LE PRODUIT

Il peut s'avérer nécessaire de diluer le produit utilisé à l'aide du dissolvant recommandé par le fabricant, avant de l'appliquer. Lorsque vous diluez un produit, ne dépassez jamais la limite recommandée par le fabricant du produit.

S'il est nécessaire de diluer la peinture, utilisez de l'eau ou conditionneur de peinture (comme Paint Easy™) pour les matériaux à base d'eau, des essences minérales pour les matériaux à base d'huile.

Ne pas diluer la peinture avec des produits ayant un point d'éclair sous 100 °F (38 °C).

MONTAGE

Ne pointez jamais le pistolet pulvérisateur vers l'une ou l'autre des parties de votre corps.

1. Bien agiter le produit de revêtement. Remplissez le récipient. Utilisez une passoire pour enlever les particules.
2. Alignement du tube d'aspiration -
 - A Si vous pulvérisez vers le bas, l'extrémité en biais du tube d'aspiration devrait être pointée vers l'avant de l'embout.
 - B Si vous pulvérisez vers le haut, l'extrémité en biais du tube d'aspiration devrait être pointée vers l'arrière de l'embout.

Assurez-vous que le tube d'aspiration est inséré le plus possible afin de garantir un ajustement serré.

Ne jamais incliner le pulvérisateur à plus de 45°. Le produit pourrait pénétrer dans le turbine et endommager l'appareil.

3. Assurez-vous que la batterie est complètement chargée (voir les instructions à la page 7). Insérez la batterie dans le bas de la poignée de la turbine comme indiqué jusqu'à ce qu'elle s'enclenche.
4. Dévisser le réservoir du pistolet pulvérisateur.
5. Alignez la flèche du buse à peinture au symbole « déverrouillage » sur la poignée.
6. Placez le buse à peinture sur la poignée et faites-le tourner vers le symbole « verrouillage » de la poignée. La plaquette sous la gâchette fixera les deux éléments en place.

Si l'appareil a déjà été utilisé, s'assurer que le joint d'étanchéité rouge de la buse est en place (voir la page 11).

N'appuyez pas sur la détente si la turbine ne fonctionne pas. La peinture s'écoulera de l'embout.

DILUCIÓN DEL MATERIAL

Antes de rociar el material, es posible que tenga que diluirlo con el solvente adecuado, como lo especifica el fabricante del mismo. Respete siempre las proporciones de dilución que aconseja el fabricante del revestimiento.

Si se necesita diluir, use utilizar agua o acondicionador de pintura (como Paint Easy™) para materiales a base de agua, alcoholes minerales para materiales a base de aceite.

No intente disminuir la densidad de los materiales que tengan un punto de inflamación inferior a 38 °C (100 °F).

PREPARACIÓN

NUNCA dirija la punta de la pistola rociadora hacia alguna parte del cuerpo.

1. Mezcle bien el material que va a rociar. Llene el recipiente. Use un filtro para retirar partículas.
2. Alinee el tubo de recogida:
 - A Si pulveriza hacia abajo, el extremo en ángulo del tubo de recogida debe estar orientado hacia la parte delantera de la boquilla.
 - B Si pulveriza hacia arriba, el extremo en ángulo del tubo de recogida debe estar orientado hacia la parte posterior de la boquilla.

Asegúrese de que el tubo de aspiración se inserte tanto como sea posible para garantizar que esté bien ajustado.

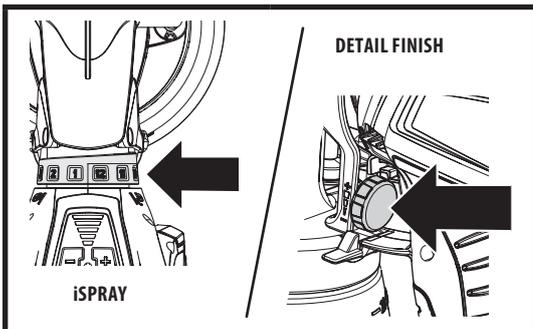
Nunca incline el pulverizador más de 45°. El producto podría entrar en la turbina y dañar el aparato.

3. Asegúrese de que la batería esté completamente cargada (consulte las instrucciones en la página 43). Inserte la batería en la parte inferior del mango de la turbina, como se muestra, hasta que se encaje con un clic.
4. Enrosque cuidadosamente el recipiente en el conjunto de boquilla rociadora. Apriete firmemente.
5. Alinee la flecha de la pistola rociadora con el símbolo UNLOCK (Desbloquear) de la asa de pistola atomizadora.
6. Inserte y gire la boquilla rociadora en la asa hacia el símbolo LOCK (Bloquear) de la asa de pistola atomizadora. La lengüeta debajo del gatillo bloqueará las dos piezas en su lugar.

Si ya se ha utilizado la unidad, asegúrese de que el sello rojo de la boquilla esté en su lugar (consulte la página 11).

Nunca apriete el gatillo si la turbina no está funcionando. Goteará pintura desde la boquilla.

SPRAYER CONTROLS • COMMANDE DU PULVÉRISATEUR • CONTROLES DEL PULVERIZADOR



MATERIAL FLOW CONTROL

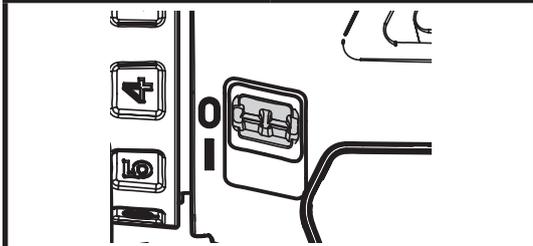
- Generally, low material flow is needed for spraying smaller surface areas, such as corners, lattice, or spindles.
- Generally, high material flow is needed for spraying large surface areas, such as fences and decks.

RÉGLAGE DU DÉBIT DE FLUIDE CONTRÔLE

- Généralement, un faible débit de produit est requis pour la pulvérisation de surfaces plus petites, comme les coins, les treillis ou les montants.
- Généralement, un débit de produit élevé est requis pour la pulvérisation de plus grandes surfaces, comme les clôtures et les terrasses.

AJUSTE DEL FLUJO DE MATERIAL

- Generalmente, se necesita un flujo de material bajo para pulverizar áreas de superficies más pequeñas, como esquinas, enrejados o husos.
- Generalmente, se necesita un flujo de material alto para pulverizar áreas de superficies grandes, como cercas y cubiertas.



ON / OFF SWITCH

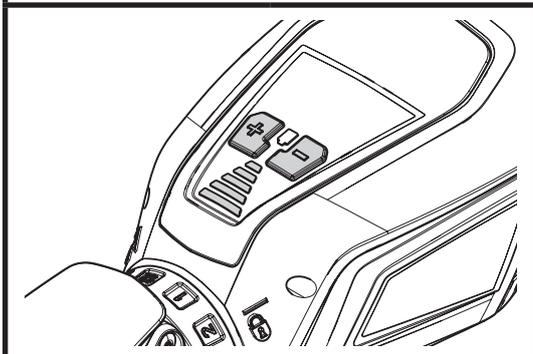
The ON/ OFF switch turns the turbine ON (I) and OFF (O). No spray material will be delivered until trigger is pulled.

INTERRUPTEUR

L'interrupteur met la turbine EN MARCHE (I) et l'ARRÊTE (O). Aucun produit à pulvériser ne s'écoulera avant que la détente soit appuyée.

INTERRUPTOR

El interruptor de Encendido/ Apagado enciende (I) y apaga (O) la turbina. No se descargará material de pulverización hasta que se apriete el gatillo.



X-BOOST™ FLOW CONTROL

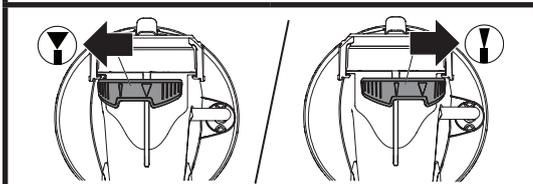
The X-Boost flow control adjusts the level of air flow produced by the turbine. Pressing the (+) button will increase the air flow. Pressing the (-) button will decrease the air flow. The indicator lights will show at what air flow the turbine is currently spraying.

INTERRUPTEUR DE PUISSANCE DE X-BOOST™

Le bouton de puissance de X-Boost™ contrôle le niveau de puissance d'air produit par la turbine. Appuyez sur le bouton (+) pour augmenter le débit d'air. Appuyez sur le bouton (-) pour diminuer la puissance de l'air. Les voyants lumineux indiquent la puissance d'air de la turbine au moment de la pulvérisation.

INTERRUPTOR POTENCIA DE X-BOOST™

Con el interruptor de potencia de X-Boost™ ajusta el nivel de potencia de aire que produce la turbina. Presionar el botón (+) aumentará el flujo de aire. Presionar el botón (-) disminuirá la potencia de aire. Las luces indicadoras mostrarán que la potencia de aire a la que la potencia está pulverizando actualmente.



SPRAY WIDTH LEVER

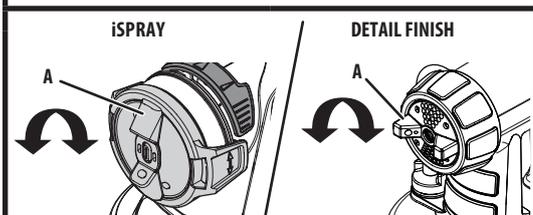
The spray width lever determines the width of the spray pattern.

LEVIER DE TARAGE DE LARGEUR

Le levier de tarage de largeur détermine la largeur de la répartition de pulvérisation.

PALANCA DE AJUSTE DE ANCHO

Con el palanca de ajuste de ancho se determina el ancho del patrón de pulverización.



AIR CAP

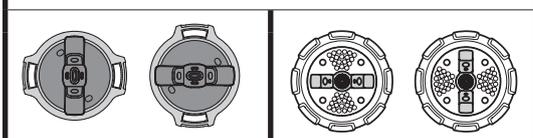
Adjust the spray pattern by turning the air cap ears (A). The air cap position will determine the movement direction of the spray gun.

CHAPEAU D'AIR

Régler la répartition de pulvérisation en tournant les oreilles du chapeau d'air (A). La position du chapeau d'air déterminera la direction du mouvement du pistolet de pulvérisation.

TAPA DE AIRE

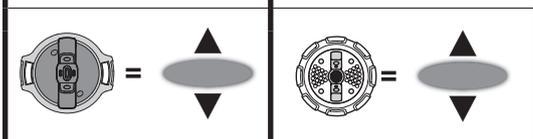
Gire las salientes del tapa de aire para ajustar el patrón de pulverización (A). La posición del tapa de aire determinará la dirección del movimiento de la pistola pulverizadora.



Round pattern (use 'up and down' or 'side to side' spraying motion)

Configuration ronde (Utilisez un mouvement « de haut en bas » ou « de droite à gauche »)

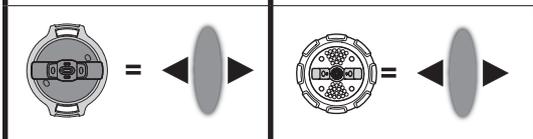
Modalidad redondo (Utiliza un movimiento de pulverización "ascendente y descendente" o "de lado a lado")



Horizontal pattern (use 'up and down' spraying motion)

Configuration horizontale (Utilisez un mouvement « de haut en bas »)

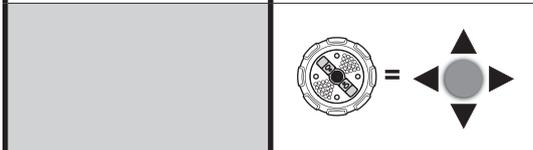
Modalidad horizontal Utiliza un movimiento de "ascendente y descendente"



Vertical pattern (use 'side to side' spraying motion)

Configuration verticale (Utilisez un mouvement « de droite à gauche »)

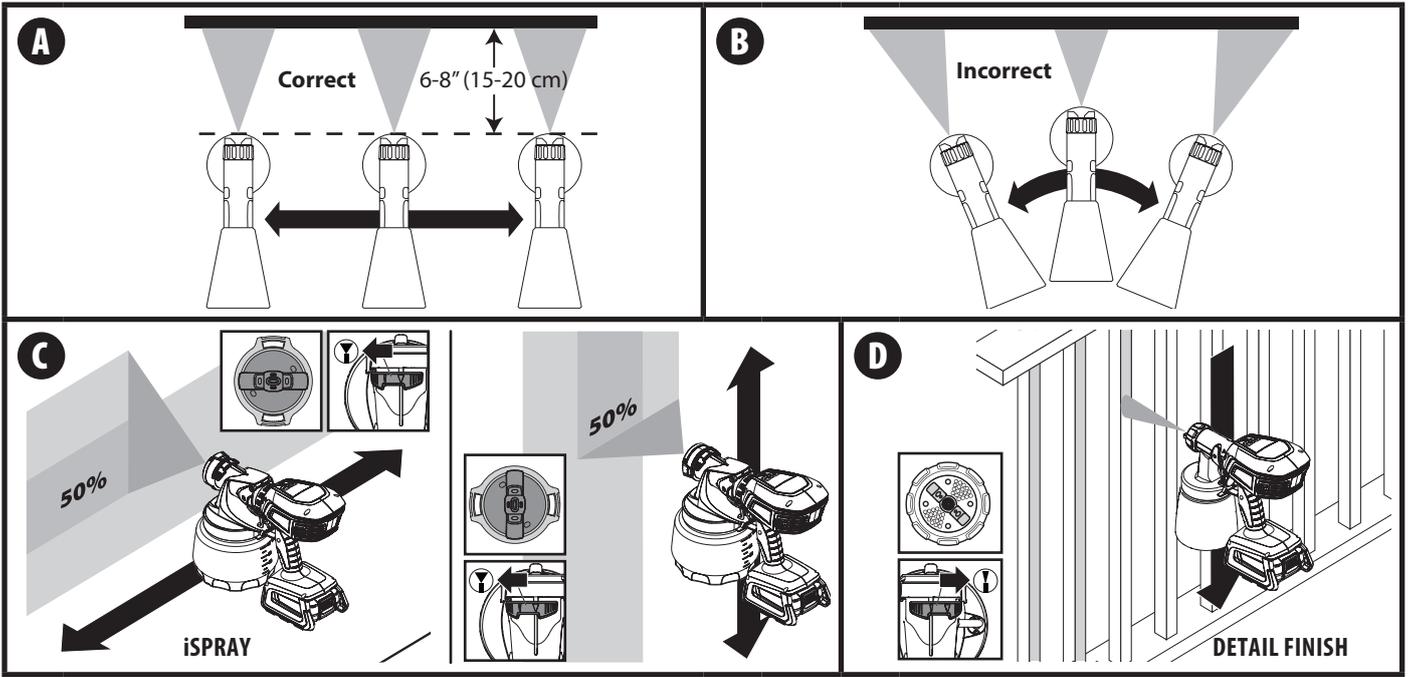
Modalidad vertical Utiliza un movimiento de "lado a lado"



*Round pattern - Detail Finish nozzle only, if included (Use 'up and down' or 'side to side' spraying motion)

*Configuration ronde - Buse de Detail Finish seulement, si inclus (Utilisez un mouvement « de haut en bas » ou « de droite à gauche »)

*Modalidad circular - boquilla de Detail Finish solamente, si está incluido Utiliza un movimiento de pulverización "ascendente y descendente" o "de lado a lado"



STOP

It is important to keep your arm moving whenever the gun is being triggered. If you pause or linger in one spot too long, too much material will be sprayed to the surface.

- Turn the ON/OFF switch to ON (I) to turn on the turbine. No material will spray until the trigger is activated.
- A)** Position the spray gun perpendicular to and 6-8 inches from the spray surface, depending upon the spray pattern size desired. With reduced material flow and air power, you can get closer to the spraying surface.
- Spray parallel to the surface with smooth passes at a consistent speed as illustrated. Doing this will help avoid irregularities in the finish (i. e. runs and sags).
- B)** Flex your wrist as you move in order to keep gun parallel to the surface.
- C)** Generally, high material flow and air power are needed for spraying large surface areas, such as walls and decks.
- The air cap position will determine the movement direction of the spray gun.
- When spraying, overlap each spray pass by at least 50% This will ensure full coverage.
- Always apply a thin wet coat of material on the first pass and allow to dry before applying a second, slightly heavier coat.
- D)** Generally, low material flow and air power are needed for spraying smaller surface areas, such as corners, lattice, or spindles.
- For this type of project, reduce air power, material flow and switch to a narrow width when using the iSpray nozzle, or use the Detail Finish nozzle.
- When spraying, always trigger the spray gun after spray pass has begun and release trigger before stopping the pass. Always keep the gun pointed squarely at the spray surface and overlap passes slightly to obtain the most consistent and professional finish possible.
- **Frequently wipe the nozzle tip with a damp rag when spraying to remove dried material.**

ARRÊT

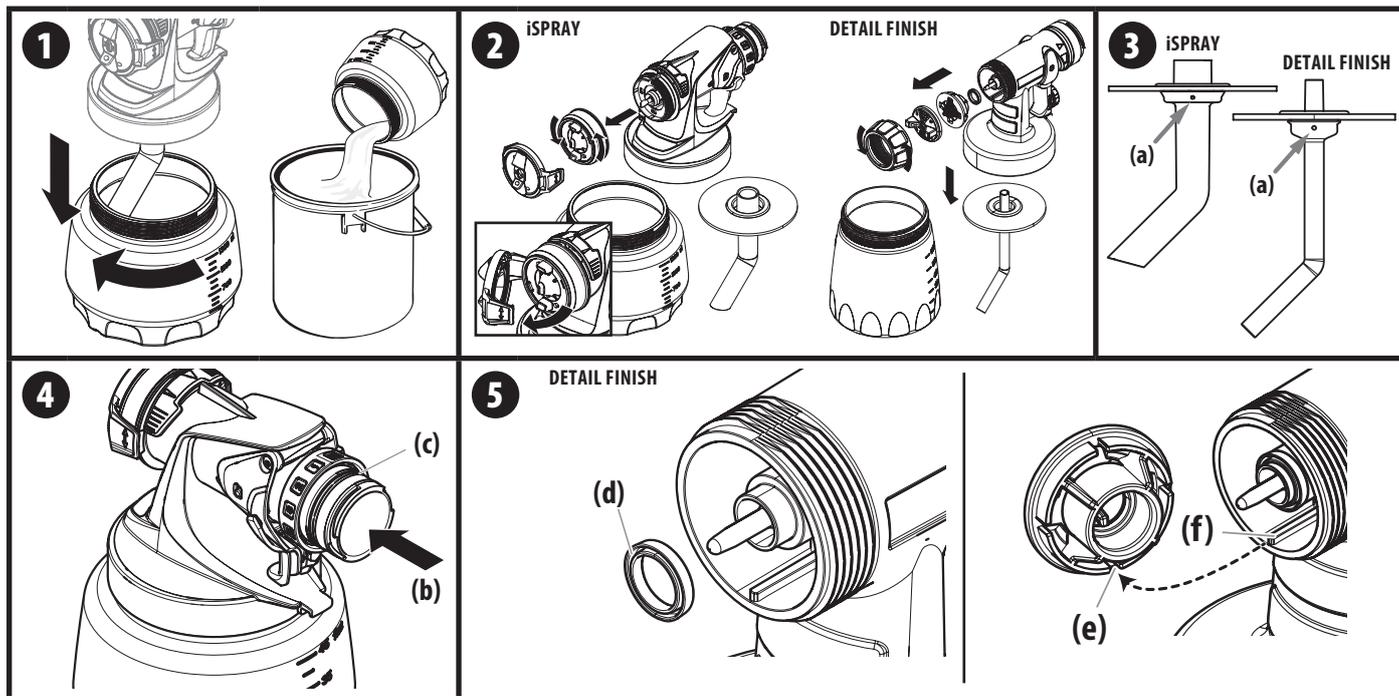
Il est important de garder votre bras en mouvement lorsque vous appuyez sur la détente du pulvérisateur. Si vous arrêtez à un endroit trop longtemps, trop de produit sera pulvérisé à la surface.

- Mettez l'interrupteur en MARCHÉ (I) pour activer la turbine. Le produit ne sera pas pulvérisé avant l'activation de la détente.
- A)** Placez le pistolet perpendiculairement par rapport à la surface à pulvériser, à une distance de 15 à 20 cm selon la configuration de jet souhaitée. Vous pouvez vous rapprocher de la surface à pulvériser si vous réduisez le débit de peinture et la force de l'air.
- Il faut maintenir le jet parallèle à la surface et le mouvement du bras doit être uniforme et constant, comme le montre. On évitera ainsi les irrégularités du fini telles que les dégoûlinades et la formation de rideaux.
- B)** Flex votre poignet lorsque vous vous déplacez dans le but de garder le parallèle fusil à la surface.
- C)** Habituellement, un débit de fluide et une débit d'air élevés sont nécessaires pour pulvériser de grandes surfaces, comme un mur et terrasse.
- La position de chapeau d'air déterminera la direction du mouvement du pulvérisateur.
- Pendant la pulvérisation, chevaucher chaque pulvérisation par au moins 50 %. Cela assurera une couverture complète.
- Le premier jet doit toujours servir à l'application d'une mince couche qu'on laisse ensuite sécher avant de passer une deuxième fois pour appliquer une couche un peu plus épaisse.
- D)** Habituellement, un débit de fluide et débit d'air faible sont nécessaires pour pulvériser de plus petites surfaces, comme les coins, les treillis ou les montants.
- Pour ce type de projet, vous devez réduire la puissance, réduire le débit de peinture et sélectionner une répartition étroite lorsque vous utilisez la buse iSpray ou utilisez la buse de Detail Finish.
- Lors de l'application, appuyez toujours sur la gâchette après avoir amorcé le mouvement, et relâchez-la avant la fin du mouvement. Maintenez toujours le pistolet bien droit par rapport à la surface à pulvériser en veillant à ce que chacun des mouvements se chevauchent légèrement de manière à obtenir un fini impeccable et des plus uniformes.
- **Essayez fréquemment l'embout à l'aide d'un chiffon humide pendant la pulvérisation pour enlever le produit séché.**

ALTO

Es importante no dejar de mover el brazo mientras se mantiene presionado el gatillo de la pistola. Si se detiene o tarda demasiado en un punto, pulverizará demasiado material a la superficie.

- Mueva el interruptor de Encendido/Apagado a ENCENDIDO (I) para encender la turbina. No se pulverizará material hasta que se active el gatillo.
- A)** Coloque la pistola rociadora perpendicular a la superficie de rociado y a 15-20 cm de la misma, según el tamaño de la modalidad de rociado elegida. Con un flujo de material y potencia de aire reducidos, puede acercarse más a la superficie de pulverización.
- Rocíe en forma paralela a la superficie con pasadas suaves a una velocidad constante, como se ilustra. De esta manera evitará irregularidades en el acabado (es decir, las chorreaduras y salpicaduras).
- B)** Flexionar la muñeca mientras se mueve con el fin de mantener el arma en paralelo a la superficie.
- C)** Generalmente, para pulverizar áreas de mayor superficie, como por ejemplo una pared y plataformas, se requiere un mayor flujo del material y flujo de aire.
- La boquilla de pulverización determinará la dirección del movimiento de la pistola
- Al pulverizar, superponga cada pasada de pulverización en al menos un 50 %. Esto garantizará el nivel de cobertura.
- Aplique siempre una capa delgada de material en la primera pasada y deje que se seque antes de aplicar la segunda pasada, levemente más gruesa.
- D)** Generalmente, para pulverizar áreas de superficies más pequeñas, como esquinas, enrejados o husos, se requieren flujo del material y flujo de aire menores.
- Para este tipo de proyecto, reduzca la potencia, el flujo de material y cambie a un ancho angosto cuando use la boquilla iSpray o use la boquilla de Detail Finish.
- Al rociar, presione siempre el gatillo de la pistola después de comenzar a mover la pistola y suelte el gatillo antes de detener el movimiento. Mantenga siempre la pistola dirigida directamente hacia la superficie de rociado y superponga levemente las pasadas para obtener el acabado más consistente y profesional posible.
- **Limpie con frecuencia la boquilla con un paño húmedo cuando esté pulverizando para eliminar el material seco.**



i When cleaning, use the appropriate cleaning solution (warm, soapy water for water-based coatings, and mineral spirits for oil-based coatings).

! Special cleanup instructions for use with flammable solvents (must have a flashpoint above 100°F (38°C):

- Always flush spray gun outside.
- Area must be free of flammable vapors.
- Cleaning area must be well-ventilated.
- Do not submerge turbine!

i For basic quick-cleaning between color changes, fill the material container with cleaning solution and spray the cleaning solution through the gun and into a waste container.

1. Turn turbine OFF. Separate the turbine from the nozzle.
Remove the container and empty any remaining material. Thoroughly rinse the material container with warm, soapy water (or mineral spirits for oil-based materials).
2. Disassemble the spray gun and clean all parts with warm soapy water (or mineral spirits for oil-based materials).
Reassemble all parts when clean.
3. Clean the air vent (a) on the suction tube with a soft bristled cleaning brush.
4. Clean the rear of the nozzle (b) with the appropriate cleaning solution. Use a thin layer of petroleum jelly to lubricate the O-ring (c).
5. Reassemble the spray gun.

i When replacing the nozzle seal, make sure the groove (d) in the seal is facing outward. Make sure the tab (e) in the spray gun head is aligned with one of the notches (f) in the nozzle.

i Pour le nettoyage, utilisez la solution de nettoyage appropriée (eau chaude, savonneuse pour les peintures aux latex; essences minérales pour les peintures à l'huile)

! Directives spéciales pour le nettoyage au moyen de solvants inflammables : LE POINT D'INFLAMABILITÉ DES MATÉRIEAUX DOIT ÊTRE AU MOINS 38°C (100°F).

- Toujours vidanger le pistolet de préférence dehors.
- L'aire de nettoyage doit être exempte d'émanations.
- L'aire de nettoyage doit bien-être aéré.
- Na pas immerger le turbine!

i Pour un nettoyage rapide de base entre les changements de couleur, remplissez le récipient de peinture de solution de nettoyage et pulvérisez la solution dans un récipient à déchets.

1. ARRÊTEZ la turbine. Séparez le buse de la turbine en les faisant pivoter.
Enlevez le récipient et videz le produit restant. Rincez abondamment le récipient de produit avec de l'eau chaude savonneuse (ou de l'essence minérale pour les produits à l'huile).
2. Démontez le pistolet de pulvérisation et nettoyez toutes les pièces avec de l'eau chaude savonneuse (ou de l'essence minérale pour les produits à l'huile).
Remontez les pièces lorsque tout est propre.
3. Nettoyer l'ouverture d'aération (a) sur le tube d'aspiration avec le brosse de nettoyage.
4. Nettoyez l'extrémité arrière le buse à peinture (b) avec la solution de nettoyage appropriée. Lubrifiez le joint torique (c) en appliquant une fine couche de gelée de pétrole.
5. Remontez le pistolet à peinture.

i Au moment de remplacer le joint d'étanchéité de l'embout, assurez-vous que la rainure (d) du joint d'étanchéité est orientée vers l'extérieur.

Assurez-vous que l'onglet (e) de la tête du pistolet de pulvérisation est aligné à une des encoches (f) de l'embout.

i Al limpiar, use la solución de limpieza apropiada (agua tibia con jabón para materiales de látex, alcoholes minerales para materiales a base de óleo).

! Instrucciones especiales de limpieza para utilizar con solventes inflamables (deben tener un punto de inflamación de 100 °F (38 °C):

- Descargue siempre la pistola rociadora en exteriores.
- En la zona no debe haber vapores inflamables.
- El área de limpieza debe estar bien ventilada.
- ¡No sumerja la turbina!

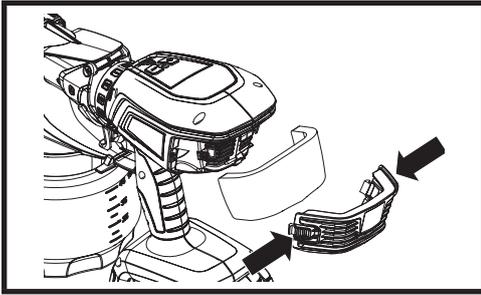
i Para una limpieza básica y rápida entre los cambios de color, llene el recipiente de material con una solución de limpieza y pulverice la solución a través de la pistola en un recipiente de desechos.

1. APAGUE la turbina. Gire la boquilla rociadora y sepárela de la asa.
Retire el recipiente y vacíe todo el material restante. Enjuague completamente el recipiente de material con agua tibia con jabón (o con alcohol mineral para materiales a base de óleo).
2. Desmonte la pistola pulverizadora y limpie todas las piezas con agua tibia con jabón (o con alcohol mineral para materiales a base de óleo).
Una vez finalizada la limpieza, vuelva a montar las piezas.
3. Limpie el ducto de ventilación (a) del tubo de succión con la cepillo de limpieza.
4. Limpie el exterior del depósito y de la pistola hasta que queden limpios. Limpie la parte trasera de la boquilla rociadora (b) con la solución de limpieza adecuada. Lubrique la joint torica con una capa delgada de vaselina (c).
5. Vuelva a ensamblar la pistola rociadora.

i Cuando reemplace el sello de la boquilla, asegúrese que la ranura (d) del sello esté orientada hacia afuera.

Asegúrese de que la lengüeta (e) en el cabezal de la pistola pulverizadora está alineada con una de las ranuras (f) de la boquilla.

MAINTENANCE • ENTRETIEN • MANTENIMIENTO



REPLACING THE FILTER



Before every use, you should inspect the air filter in the turbine to see if it is excessively dirty. If it is dirty, follow these steps to replace it.

Never operate your unit without the air filters. Dirt could be sucked in and interfere with the function of the unit.

1. Press the tab at the rear of the turbine. Slide the rear housing off of the back of the turbine.
2. Remove the dirty filter from the turbine and replace with a new one. The smooth side of the air filter must be placed toward the turbine.
Secure the cover back onto the turbine.

REPLACEMENT DU FILTRE



Vous devriez inspecter les filtre à air qui est situé dans la turbine pour vérifier s'il est excessivement encrassé. S'il est encrassé, veuillez suivre les étapes ci-dessous pour le remplacer.

Ne jamais faire fonctionner votre appareil sans le filtre à air. Des impuretés pourraient être aspirées et causer des interférences dans le fonctionnement de l'appareil.

1. Appuyez sur l'onglet à l'arrière de la turbine. Retirez le boîtier arrière en le glissant de la turbine.
2. Enlevez le filtre souillés de la turbine et remplacez-les par de nouveaux. Le côté lisse du filtre à air doit être placé vers la turbine.
Remettez le couvercle sur la turbine.

REEMPLAZO DEL FILTRO



Es conveniente que inspeccione el filtro de aire de la turbina para controlar si está excesivamente sucio. Si se encuentra sucio, siga los pasos a continuación para reemplazarlo.

Nunca haga funcionar la unidad sin el filtro de aire. La suciedad puede ingresar en la unidad e interferir con su funcionamiento.

1. Presione la lengüeta en la parte posterior de la turbina. Deslice la carcasa posterior y sáquela de la parte posterior de la turbina.
2. Retire el filtro sucios de la turbina y reemplácelos por nuevo. Se debe colocar el lado suave del filtro de aire hacia la turbina.
Fije la tapa de vuelta en la turbina.

TROUBLESHOOTING

PROBLEM	CAUSE	SOLUTION
Problem A: Little or no material flow	<ol style="list-style-type: none"> 1. Nozzle clogged. 2. Suction tube clogged. 3. Material flow setting too low. 4. Suction tube loose. 5. No pressure build up in container. 6. Air filter clogged. 7. Spray material too thick. 8. Nozzle seal missing or worn. 	<ol style="list-style-type: none"> 1. Clean. 2. Clean. 3. Increase material flow setting. 4. Remove and replace as tightly as possible. 5. Tighten container. Check the air vent hole on the pick up tube - clean if clogged. 6. Change 7. Thin. 8. Replace nozzle.
Problem B: Material leaking	<ol style="list-style-type: none"> 1. Nozzle loose. 2. Nozzle worn. 3. Nozzle seal missing or worn. 4. Material build-up on air cap and nozzle 	<ol style="list-style-type: none"> 1. Tighten. 2. Replace. 3. Replace nozzle. 4. Clean.
Problem C: Spray pattern too thick, runs and sags	<ol style="list-style-type: none"> 1. Material flow setting too high. 2. Air power setting too low. 3. Applying too much material. 4. Nozzle clogged. 5. Air filter clogged. 6. Too little pressure build-up in container. 7. Spray material too thick. 	<ol style="list-style-type: none"> 1. Decrease material flow setting. 2. Increase air power setting. 3. Adjust material flow or increase movement of spray gun. 4. Clean. 5. Change. 6. Tighten container. Check the air vent hole on the pick up tube - clean if clogged. 7. Thin.
Problem D: Spray jet pulsates	<ol style="list-style-type: none"> 1. Material in container running out. 2. Air filter clogged. 	<ol style="list-style-type: none"> 1. Refill. 2. Change.
Problem E: Too much overspray	<ol style="list-style-type: none"> 1. Gun too far from spray object. 	<ol style="list-style-type: none"> 1. Reduce distance (6"-8" is ideal).
Problem F: Pattern is very light and splotchy	<ol style="list-style-type: none"> 1. Moving the spray gun too fast. 2. Material flow setting too low. 3. Air power setting too high. 	<ol style="list-style-type: none"> 1. Adjust material flow or decrease movement of spray gun. 2. Increase material flow setting. 3. Decrease air power setting.

DÉPANNAGE

PROBLEME	CAUSE	SOLUTION
Probleme A : Débit de produit faible ou inexistant	<ol style="list-style-type: none"> 1. Buse est encrassé. 2. Tube d'aspiration est encrassé. 3. Débit de fluide plaçant si bas. 4. Tube d'aspiration est desserré. 5. Il n'y a pas de pression d'air dans le réservoir. 6. Filtres d'air encrasse 7. Fluide trop épais. 8. Le joint d'étanchéité de la buse est usé ou n'a pas été installée. 	<ol style="list-style-type: none"> 1. La nettoyer. 2. Le nettoyer. 3. Augmenter l'arrangement débit de fluide. 4. Le remplacer fermement. 5. Bien visser le réservoir. Vérifiez le trou d'aération sur le tube d'aspiration - nettoyez s'il est bouché. 6. Nettoyer ou remplacer. 7. Le diluer. 8. Le remplacer de la buse.
Probleme B : Fuite du produit	<ol style="list-style-type: none"> 1. Buse deserré. 2. Buse usée. 3. Le joint d'étanchéité de la buse est usé ou n'a pas été installée. 4. Formation de dépôts de produit sur le chapeau d'air et la buse. 	<ol style="list-style-type: none"> 1. La serrer. 2. Le remplacer. 3. Le remplacer de la buse. 4. La nettoyer.
Problème C : La répartition de pulvérisation est trop épaisse et coule	<ol style="list-style-type: none"> 1. Débit de fluide plaçant trop haut. 2. Puissance d'air plaçant si bas. 3. L'application du produit est trop abondante. 4. Buse est encrassé. 5. Filtre à air est encrassé. 6. L'établissement de pression dans le réservoir est trop faible. 7. Fluide trop épais. 	<ol style="list-style-type: none"> 1. Diminuer l'arrangement débit de fluide. 2. Augmenter l'arrangement puissance d'air. 3. Réglez le débit de fluide (-) ou encore augmentez le mouvement du piolet pulvérisateur. 4. La nettoyer. 5. Le remplacer. 6. Bien visser le réservoir. Vérifiez le trou d'aération sur le tube d'aspiration - nettoyez s'il est bouché. 7. Le diluer.
Probleme D : Pulsation du jet	<ol style="list-style-type: none"> 1. Épuisement du produit dans le réservoir. 2. Filtre à air est encrassé. 	<ol style="list-style-type: none"> 1. Remplir le réservoir à nouveau. 2. Le remplacer.
Probleme E : Surpulvérisation excessive	<ol style="list-style-type: none"> 1. Le pistolet pulvérisateur est trop éloigné de la surface. 	<ol style="list-style-type: none"> 1. Réduire la distance (de 15 à 20 cm est optimale).
Probleme F : La configuration du jet est trop fine et fait des taches	<ol style="list-style-type: none"> 1. Le déplacement du pistolet a lieu trop rapidement. 2. Débit de fluide plaçant si bas. 3. Puissance d'air plaçant trop haut. 	<ol style="list-style-type: none"> 1. Réglez le débit du liquide ou encore, augmentez le mouvement du pistolet pulvérisateur. 2. Augmenter l'arrangement débit de fluide. 3. Diminuer l'arrangement puissance d'air.

SOLUCIÓN DE PROBLEMAS

PROBLEMA	CAUSA	SOLUCIÓN
Problema A: Poco o ningún flujo de pintura	<ol style="list-style-type: none"> 1. Boquilla taponada 2. Tubo de succión está obstruido. 3. Ajuste del flujo de material girado demasiado bajo. 4. Tubo de succión suelto. 5. No se eleva la presión en el recipiente de la pistola. 6. Filtro de aire obstruido. 7. La material es demasiado espesa. 8. Junta de boquilla desgastada o falta. 	<ol style="list-style-type: none"> 1. Limpie. 2. Limpie. 3. Aumente del flujo de material. 4. Reemplace la tubo de succión. 5. Apriete el recipiente. Revise el orificio de ventilación en el tubo de succión: limpie si está obstruido. 6. Reemplace la filtro de aire. 7. Diluya. 8. Reemplace la boquilla.
Problema B: El material gotea	<ol style="list-style-type: none"> 1. Boquilla está suelta. 2. Boquilla desgastada. 3. Junta de boquilla desgastada o falta. 4. Acumulación de material en válvula de aire y boquilla. 	<ol style="list-style-type: none"> 1. Apriete la boquilla. 2. Reemplace la boquilla. 3. Reemplace la boquilla. 4. Limpie.
Problema C: El patrón de pulverización tiene demasiada densidad, se corre	<ol style="list-style-type: none"> 1. Ajuste del flujo de material girado demasiado alto. 2. Ajuste del flujo de aire girado demasiado bajo. 3. Está aplicando demasiado material. 4. Boquilla taponada. 5. Filtro de aire obstruido. 6. Poca presión en el recipiente. 7. La material es demasiado espesa. 	<ol style="list-style-type: none"> 1. Disminuya del flujo de material. 2. Aumente del flujo de aire. 3. Ajuste el flujo del material mueva más rápidamente la pistola. 4. Limpie. 5. Reemplace el filtro de aire. 6. Apriete el recipiente. Revise el orificio de ventilación en el tubo de succión: limpie si está obstruido. 7. Diluya.
Problema D: Dispersión intermitente	<ol style="list-style-type: none"> 1. Poca cantidad de material en el recipiente. 2. Filtro de aire obstruido. 	<ol style="list-style-type: none"> 1. Añada material. 2. Reemplace la filtro de aire.
Problema E: Demasiada dispersión del chorro atomizado	<ol style="list-style-type: none"> 1. Distancia al objeto demasiado grande. 	<ol style="list-style-type: none"> 1. Acerque la pistola (15-20 cm es óptima).
Problema F: El patrón es muy delgado y queda salpicado	<ol style="list-style-type: none"> 1. Está desplazando la pistola de atomización muy rápidamente. 2. Ajuste del flujo de material girado demasiado bajo. 3. Ajuste de flujo de aire demasiado alto. 	<ol style="list-style-type: none"> 1. Ajuste el flujo del material mueva más lentamente la pistola. 2. Aumente del flujo de material. 3. Disminuya del flujo de aire.

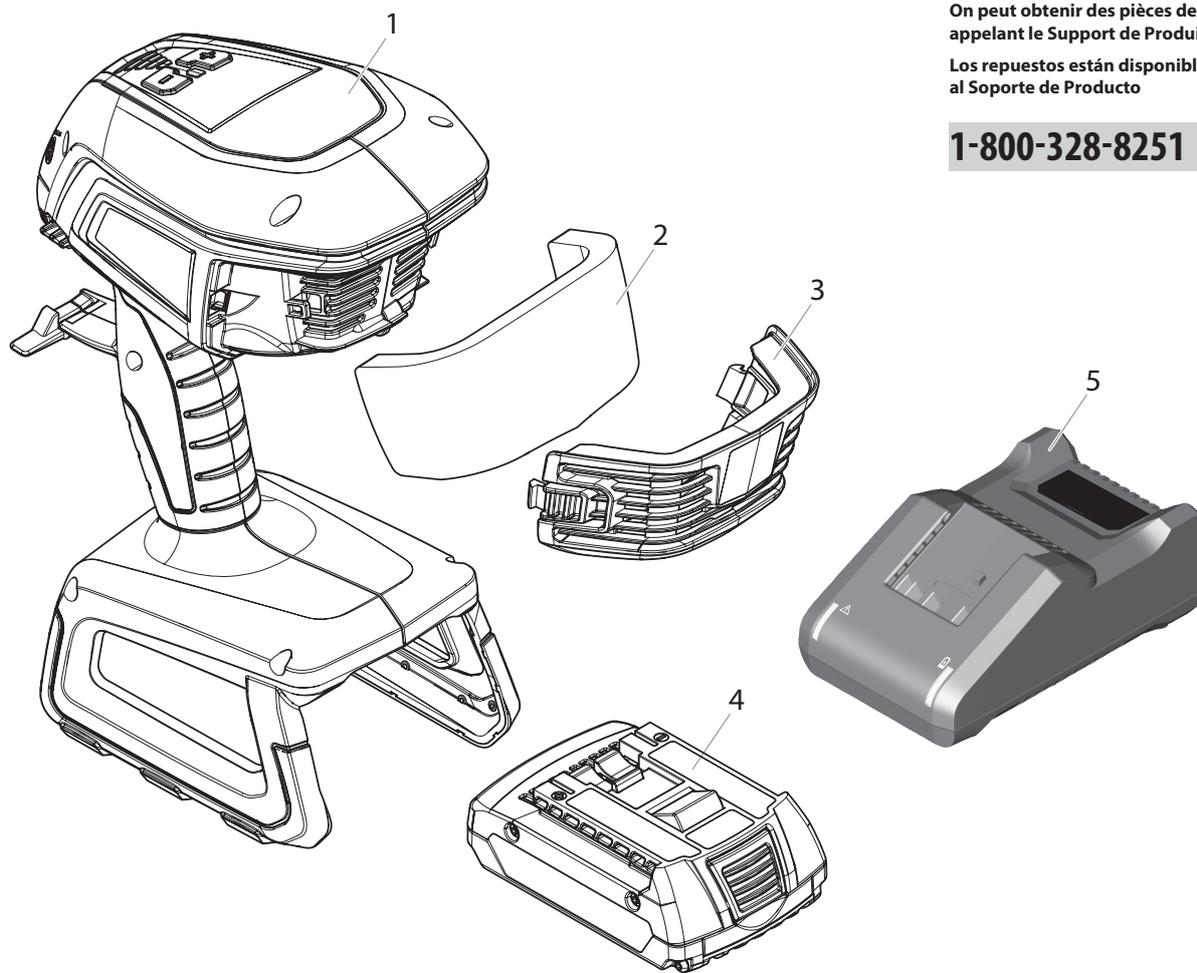
PARTS LIST • LISTE DE PIÈCES • LISTA DE PIEZAS

Replacement parts available by calling Product Support

On peut obtenir des pièces de rechange en appelant le Support de Produit

Los repuestos están disponibles llamando al Soporte de Producto

1-800-328-8251



#	Part No. N° de pièce Pieza No.	English Description	Français Description	Español Descripción	Qty. Qte. Cant.
1	-----	Turbine (includes item 2-3)	Turbine (inclut de pièce 2-3)	Turbina (incluye le artículo 2-3)	1
2	2382954A	Filter	Filtre	Filtro	2
3	2373740	Filter housing	Poignée de pistolet	Alojamiento de pistola	1
Not included in all models • Non inclus dans tous les modèles • No se incluye en todos los modelos					
4	2445942	Battery (Wagner)	Batterie (Wagner)	Batería (Wagner)	1
5	2422706	Battery charger (Wagner)	Chargeur de batterie (Wagner)	Cargador de baterías (Wagner)	1



This unit contains no servicable electrical parts. Do not attempt to service yourself.



Cet appareil n'a aucune pièce électrique utilisable. Ne tentez pas d'effectuer vous-même l'entretien.



Esta unidad no contiene piezas eléctricas que se puedan reparar. No intente repararlas personalmente.

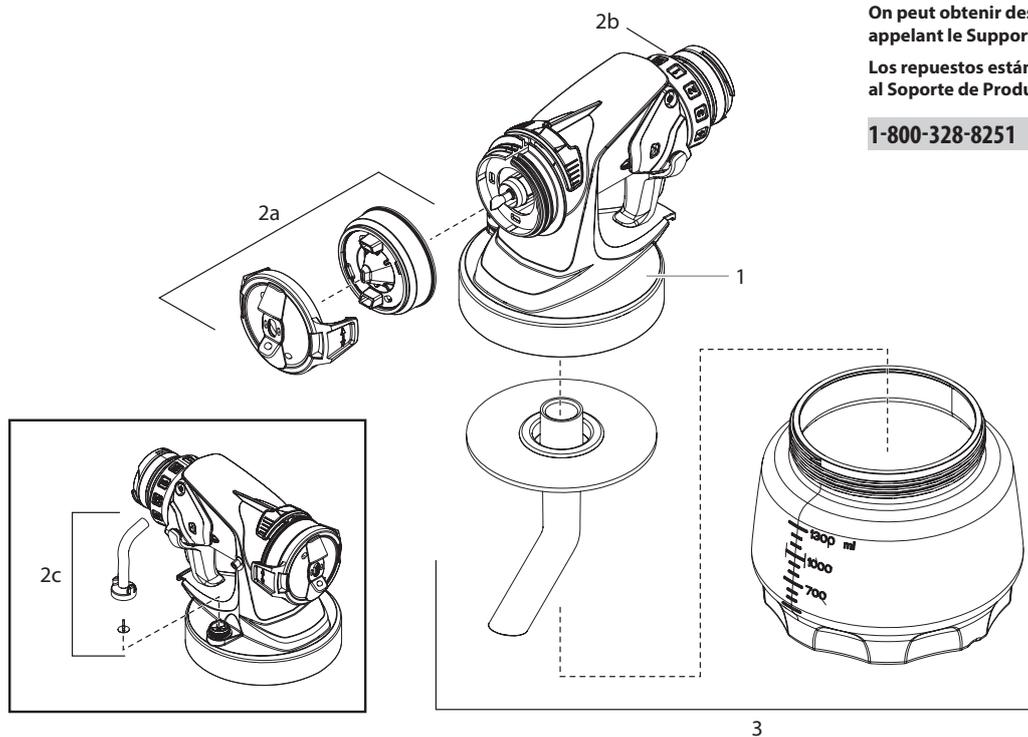
PARTS LIST • LISTE DE PIÈCES • LISTA DE PIEZAS

Replacement parts available by calling Product Support

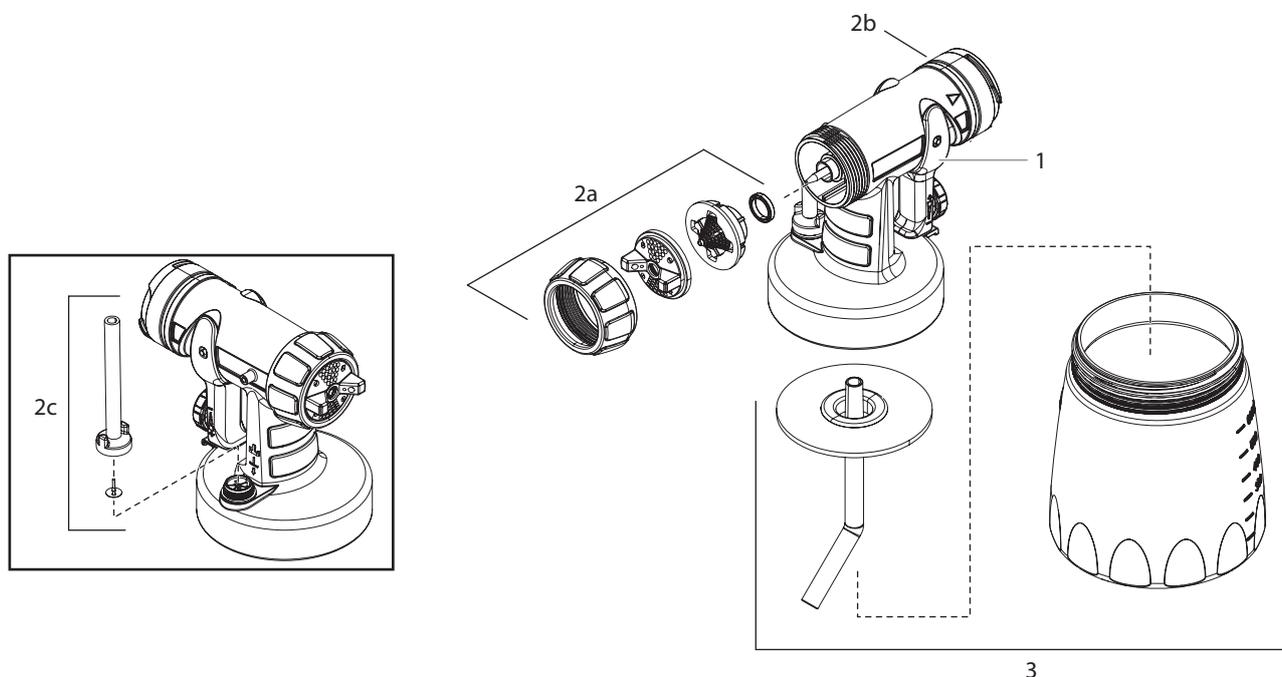
On peut obtenir des pièces de rechange en appelant le Support de Produit

Los repuestos están disponibles llamando al Soporte de Producto

1-800-328-8251



#	Part No. N° de pièce Pieza No.	English Description	Français Description	Español Descripción	Qty. Qte. Cant.
1	0520006	Spray gun assembly (includes items 1-3)	Ensemble de pistolet (includ des pièces 1 à 3)	Ensamblaje de pistola (incluye los artículos 1-3)	1
2	2436405	iSpray nozzle kit (includes items 2a, 2b and 2c)	Trousse de buse de iSpray (includ des pièces 2a, 2b et 2c)	Juego de boquilla de iSpray (incluye los artículos 2a, 2b y 2c)	1
3	2438604	Container kit (1300 ml)	Trousse de réservoir de liquide (1300 ml)	Juego de recipiente (1300 ml)	1



#	Part No. N° de pièce Pieza No.	English Description	Français Description	Español Descripción	Qty. Qte. Cant.
1	529257	Nozzle assembly (includes items 1-3)	Ensemble de buse (includ des pièces 1 à 3)	Ensamblaje de boquilla (incluye los artículos 1-3)	1
2	2438540	Nozzle kit (includes items 2a, 2b and 2c)	Trousse de buse (includ des pièces 2a, 2b et 2c)	Juego de boquilla (incluye los artículos 2a, 2b y 2c)	1
3	2438548	Container kit (800 ml)	Trousse de réservoir de liquide (800 ml)	Juego de recipiente (800 ml)	1

WARRANTY • PAINT SPRAY EQUIPMENT

This product, manufactured by Wagner Spray Tech Corporation (Wagner), is warranted against defects in material and workmanship for one year following date of purchase if operated in accordance with Wagner's printed recommendations and instructions. This warranty does not cover damage resulting from improper use, accidents, user's negligence or normal wear. This warranty does not cover any defects or damages caused by service or repair performed by anyone other than a Wagner Authorized Service Center.

ANY IMPLIED WARRANTY OF MERCHANTABILITY OR FITNESS FOR A PARTICULAR PURPOSE IS LIMITED TO ONE YEAR FOLLOWING DATE OF PURCHASE. WAGNER SHALL NOT IN ANY EVENT BE LIABLE FOR ANY INCIDENTAL OR CONSEQUENTIAL DAMAGES OF ANY KIND, WHETHER FOR BREACH OF THIS WARRANTY OR ANY OTHER REASON. THIS WARRANTY DOES NOT APPLY TO ACCESSORIES.

THIS PRODUCT IS DESIGNED FOR HOME USAGE ONLY. IF USED FOR COMMERCIAL OR RENTAL PURPOSES, THIS WARRANTY APPLIES ONLY FOR 30 DAYS FROM DATE OF PURCHASE.

If any product is defective in material and workmanship during the applicable warranty period, return it with proof of purchase, transportation prepaid to Wagner Spray Tech, 6151 Queens Ave., Otsego, MN 55330. Wagner will either repair or replace the product (at Wagner's option) and return it to you, postage prepaid.

SOME STATES DO NOT ALLOW LIMITATIONS ON HOW LONG AN IMPLIED WARRANTY LASTS OR THE EXCLUSION OF INCIDENTAL OR CONSEQUENTIAL DAMAGES, SO THE ABOVE LIMITATION AND EXCLUSION MAY NOT APPLY TO YOU. THIS WARRANTY GIVES YOU SPECIFIC LEGAL RIGHTS, AND YOU MAY ALSO HAVE OTHER RIGHTS WHICH VARY FROM STATE TO STATE.

GARANTIE • PULVÉRISATEUR DE PEINTURE

Cet article fabriqué par Wagner Spray Tech Corporation (Wagner) est garanti contre tout défaut de fabrication et de matériaux pour une période d'un an suivant la date d'achat, à condition qu'il soit utilisé conformément aux recommandations et aux instructions écrites de Wagner. La garantie ne couvre pas les dommages résultant d'un mauvais emploi, d'un accident, d'une négligence de la part de l'utilisateur ou de l'usure normale de l'article. Elle ne couvre pas non plus les défauts ou les dommages découlant de services d'entretien ou de réparations assurées par tout autre établissement qu'un centre de service après-vente agréé de Wagner.

TOUTE GARANTIE TACITE RELATIVE AUX QUALITÉS MARCHANDES OU À L'UTILISATION DE CE PRODUIT DANS UN BUT PARTICULIER N'EST VALABLE QUE POUR UNE PÉRIODE D'UN AN À COMPTER DE LA DATE D'ACHAT. WAGNER NE SAURAIT ÊTRE TENU RESPONSABLE DES DOMMAGES FORTUITS OU INDIRECTS QUELS QU'ILS SOIENT, QUE CE SOIT POUR INOBSERVATION DE LA PRÉSENTE GARANTIE OU POUR TOUTE AUTRE RAISON. LA GARANTIE NE COUVRE PAS LES ACCESSOIRES.

CET ARTICLE A ÉTÉ CONÇU EXCLUSIVEMENT EN VUE D'UN USAGE DOMESTIQUE. LA GARANTIE NE SERA VALABLE QUE POUR 30 JOURS À COMPTER DE LA DATE D'ACHAT DE L'ARTICLE EST UTILISÉ À DES FINS COMMERCIALES OU DE LOCATION.

Si un produit démontre un défaut de matières ou de fabrication durant la période de garantie pertinente, le retourner avec la preuve d'achat, port payé, à Wagner Spray Tech, 6151 Queens Ave., Otsego, MN 55330. Wagner effectuera soit la réparation ou le remplacement du produit (au choix de Wagner) et vous le retournera, frais de poste payés.

COMME LES LIMITES DE TEMPS RELATIVES À UNE GARANTIE TACITE OU À L'EXCLUSION DES DOMMAGES DE NATURE FORTUITE OU INDIRECTE N'ONT PAS NÉCESSAIREMENT COURS DANS TOUTES LES PROVINCES, IL SE PEUT QUE LESDITES LIMITES OU EXCLUSIONS NE VOUS CONCERNENT PAS. CERTAINS DROITS PARTICULIERS VOUS SONT DÉVOLUS EN VERTU DE LA PRÉSENTE GARANTIE ET PEUVENT S'ACCOMPAGNER D'AUTRES DROITS EN FONCTION DE LA PROVINCE OÙ VOUS RÉSIDEZ.

GARANTÍA • EQUIPO DE ATOMIZACIÓN DE PINTURA

Este producto, fabricado por la Wagner Spray Tech Corporation (Wagner), está garantizado contra defectos de materiales y de mano de obra por un año a partir de la fecha de compra siempre y cuando se utilice de acuerdo con las recomendaciones e instrucciones impresas de Wagner. Esta garantía no cubre daños ocasionados por el uso incorrecto, accidentes, negligencia por parte del usuario o el desgaste normal. Esta garantía no cubre cualquier defecto o daño ocasionado por el servicio o las reparaciones llevadas a cabo fuera de un Centro de Servicio Wagner Autorizado.

CUALQUIER GARANTÍA IMPLÍCITA REFERENTE AL POTENCIAL COMERCIAL O ADAPTABILIDAD PARA UN USO PARTICULAR SE LIMITA A UN AÑO A PARTIR DE LA FECHA DE COMPRA. WAGNER EN NINGÚN CASO SERÁ RESPONSABLE DE CUALQUIER DAÑO DIRECTO O INDIRECTO DE CUALQUIER TIPO, YA SEA POR VIOLACIÓN DE ESTA GARANTÍA O CUALQUIER OTRA RAZÓN. ESTA GARANTÍA NO SE APLICA A LOS ACCESORIOS.

ESTE PRODUCTO ESTÁ DISEÑADO PARA SER UTILIZADO EN EL HOGAR ÚNICAMENTE. SI SE UTILIZA PARA PROPÓSITOS COMERCIALES O DE ALQUILER, ESTÁ GARANTÍA ES VÁLIDA ÚNICAMENTE DURANTE 30 DÍAS A PARTIR DE LA FECHA DE COMPRA.

Si cualquier producto presenta defectos de materiales o de mano de obra durante el período de garantía, devuélvalo junto con la factura de compra y transporte prepago a Wagner Spray Tech, 6151 Queens Ave., Otsego, MN 55330. Wagner reparará o reemplazará el producto (a la opción de Wagner) y lo regresará a usted mediante flete prepago.

ALGUNOS ESTADOS, DEPARTAMENTOS O PROVINCIAS NO PERMITEN LIMITACIONES EN CUANTO AL PERÍODO DE VALIDEZ DE UNA GARANTÍA IMPLÍCITA NI LA EXCLUSIÓN DE DAÑOS DIRECTOS O INDIRECTOS. POR LA TANTO, LA LIMITACIÓN Y LA EXCLUSIÓN ANTERIOR PUEDEN NO APLICARSE A USTED. ESTA GARANTÍA LE OTORGA DERECHOS LEGALES ESPECÍFICOS Y USTED TAMBIÉN PUEDE TENER OTROS DERECHOS QUE VARIAN DE UNA LOCALIDAD A OTRA.

PRODUCT REGISTRATION / DATE CODE LOCATION

Register your product online at www.wagnerspraytech.com.

ENREGISTREMENT DU PRODUIT / EMBLACEMENT DU CODE DE DATE

Enregistrement du produit en ligne sur le site www.wagnerspraytech.com.

REGISTRO DEL PRODUCTO / UBICACIÓN DEL CÓDIGO DE FECHA

Regístrelo del producto en línea en www.wagnerspraytech.com.

